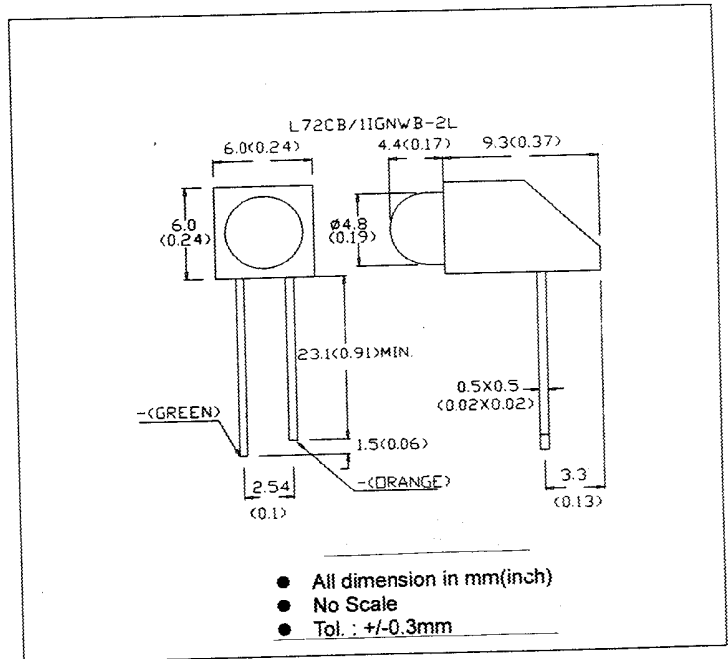


FEATURES

- Ideal for card edge status indication
- Option for different color LED
- Package allows flush seating on a PCB boards

DESCRIPTION

L72CB/11GNWB-2L is a right angle LED unit that incorporated a dual color - orange/green, tinted Ø4.8mm LED lamp in a black plastic



ABSOLUTE MAXIMUM RATINGS

- Power Dissipation @ Ta=25°C
- Forward Current, DC (IF)
- Reverse Voltage
- Operating & Storage Temperature Range
- Lead Soldering Temperature (1/16" from body)

	Orange	Green
Power Dissipation	100mW	100mW
Forward Current (IF)	30mA	30mA
Reverse Voltage	5V	5V
Operating & Storage Temperature Range	-55 to +100°C	
Lead Soldering Temperature	260°C for 5 sec.	

ELECTRO-OPTICAL CHARACTERISTICS (Ta=25°C)

PARAMETER	SYMBOL	MIN	TYP	MAX	UNIT	CONDITIONS
Forward Voltage	Orange			3	V	IF=20mA
	Green			3	V	IF=20mA
Reverse Breakdown Voltage	Orange	5			V	IR=100µA
	Green	5			V	IR=100µA
Luminous Intensity	Orange	15	20		mcd	IF=20mA
	Green	15	20		mcd	IF=20mA
Peak Wavelength	Orange		630		nm	IF=20mA
	Green		570		nm	IF=20mA
Spectral Line Half Width	Orange		40		nm	IF=20mA
	Green		30		nm	IF=20mA

