

MICRO ELECTRONICS

L72CB/1Y1GDA
L72CB/1Y1GDA-L
L72CB/1Y1GDA-2L

RIGHT ANGLE
LED LAMPS

FEATURES

Ideal for card edge status indication
Option for different color LED
Package allows flush seating on a PCB boards

DESCRIPTION

L72CB/1Y1GDA series are right angle dual LED unit that incorporates two different color tinted diffused T-1 3/4 LED lamp in a black plastic housing. The yellow LED lamp is located at left hand side and green at the right.

OPTIONS

LED lamp are available in standard red, high efficiency red, GaAlAs ultra-bright red, yellow or green.

ABSOLUTE MAXIMUM RATINGS	YELLOW	GREEN	UNIT
Power Dissipation @ Ta=25°C	60	90	mW
Forward Current, DC (IF)	20	30	mA
Reverse Voltage	5	5	V
Operating & Storage Temperature Range	-55 to +85		°C
Lead Soldering Temperature (1/16" from body, 5 seconds)	260		°C

ELECTRO-OPTICAL CHARACTERISTICS (Ta=25°C)

PARAMETER	SYMBOL	YELLOW	GREEN	UNIT	CONDITIONS
Forward Voltage	MAX V _F	3.0	3.0	V	I _F =20mA
Reverse Breakdown Voltage	MIN BV _R	5	5	V	I _R =100μA
Luminous Intensity	MIN I _v	4.0	7.0	mcd	I _F =20mA
	TYP	6.0	10	mcd	I _F =20mA
Peak Wavelength	TYP λ _p	585	570	nm	I _F =20mA
Spectral Line Half Width	TYP Δλ	35	30	nm	I _F =20mA

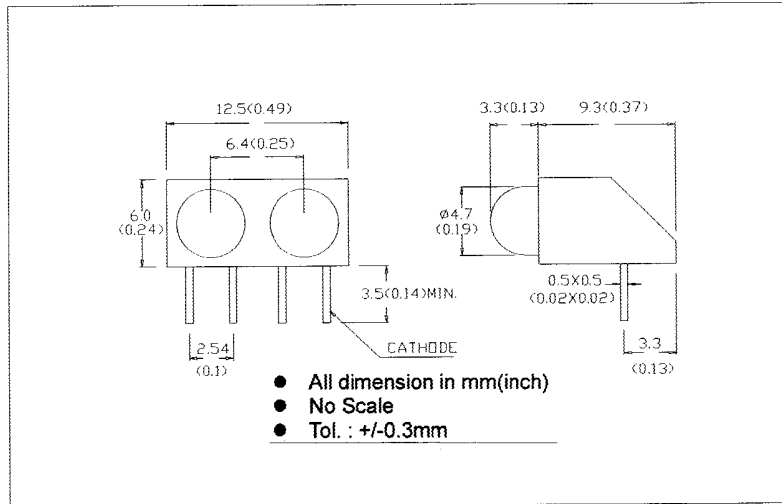


MICRO ELECTRONICS LTD.

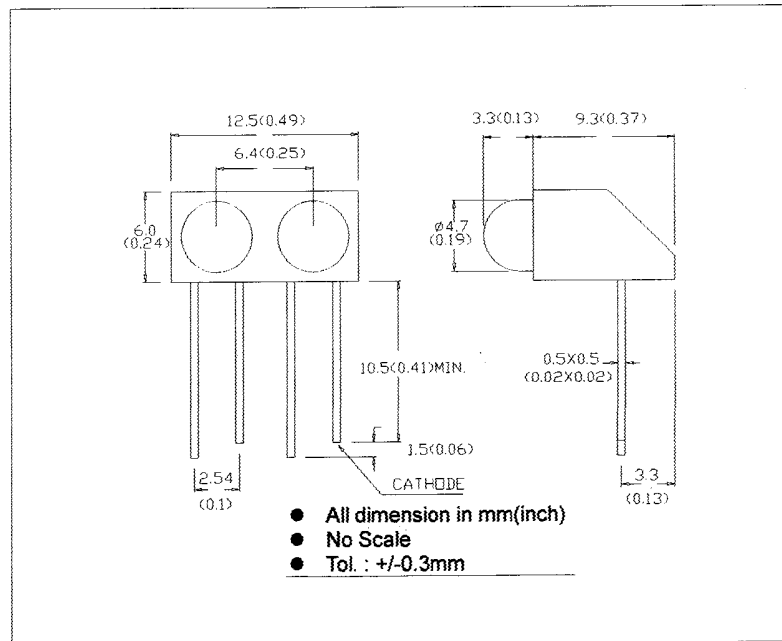
38, Hung To Road, Microtron Building, Kwun Tong, Kowloon, Hong Kong.
Kwun Tong P.O. Box 69477 Hong Kong. Fax No. 2341 0321 Telex:43510 Micro Hx. Tel: 2343 0181-5

MECHANICAL OUTLINE

L72CB/1Y1GDA



L72CB/1Y1GDA-L



L72CB/1Y1GDA-2L

