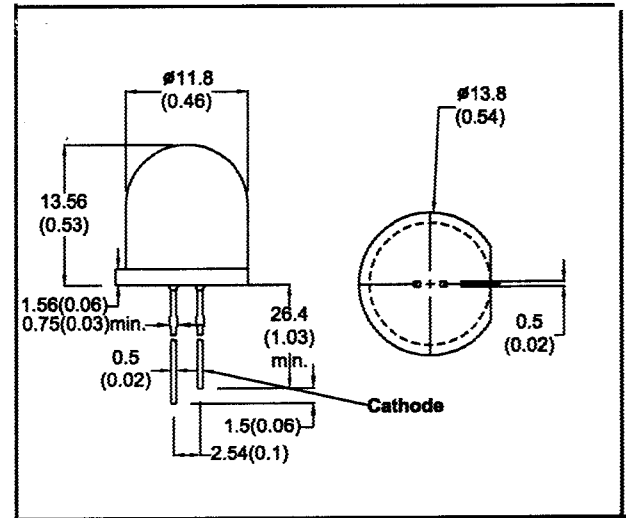


DESCRIPTION

MGB120DA-3 is ultra high brightness GaP green LED lamp encapsulated in a 12mm diameter large package, green diffused lens.



- All dimension in mm(inch)
- No Scale
- Tol. : +/-0.3mm

ABSOLUTE MAXIMUM RATINGS

Power Dissipation @ $T_a=25^\circ\text{C}$	100mW
Forward Current, DC (I_F)	30mA
Reverse Voltage	5V
Operating & Storage Temperature Range	-55 to +100°C
Lead Soldering Temperature (1/16" form body)	260°C for 5 sec.

ELECTRO-OPTICAL CHARACTERISTICS ($T_a=25^\circ\text{C}$)

PARAMETER	SYMBOL	MIN	TYP	MAX	UNIT	CONDITIONS
Forward Voltage	VF		2.2	3.0	V	$I_F=20\text{mA}$
Reverse Breakdown Voltage	BVR	5			V	$I_R=100\mu\text{A}$
Luminous Intensity	IV	30	45		mcd	$I_F=20\text{mA}$
Peak Wavelength	λ_p		570		nm	$I_F=20\text{mA}$
Spectral Line Half Width	$\Delta\lambda$		30		nm	$I_F=20\text{mA}$
Viewing Angle	2θ 1/2		66		degree	$I_F=20\text{mA}$



MICRO ELECTRONICS LTD.

38, Hung To Road, Microtron Building, Kwun Tong, Kowloon, Hong Kong.

Kwun Tong P.O. Box 69477 Hong Kong. Fax No. 2341 0321 Telex:43510 Micro Hx. Tel: 2343 0181-5