

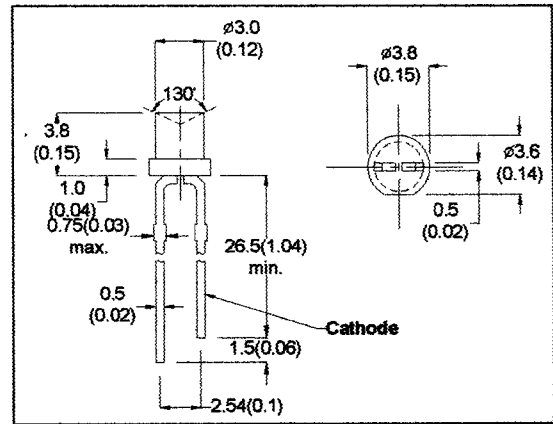
# MICRO ELECTRONICS

MOB34C  
 MOB34CR  
 MSB34C  
 MYB34C  
 3mm CYLINDRIC  
 LED LAMPS

## DESCRIPTION

This series of solid state indicators are 3mm diameter cylindric lamps

MGB34C is green LED with a green transparent lens.  
 MOB34C is orange LED with an orange transparent lens.  
 MOB34CR is orange LED with a red transparent lens.  
 MSB34C is red LED with a red transparent lens.  
 MYB34C is yellow LED with a yellow transparent lens.



- All Dimension in mm (inch)
- No Scale
- Tol : +/- 0.3mm

## ABSOLUTE MAXIMUM RATINGS

Power Dissipation @ Ta=25°C  
 Forward Current, DC (IF)  
 Reverse Voltage  
 Operating & Storage Temperature Range  
 Lead Soldering Temperature (1/16" from body)

### MSB34C

45mW  
 15mA  
 5V

### MYB34C

60mW  
 20mA  
 5V  
 -50 to +100°C  
 260°C for 5 sec.

### MGB34C

### MOB34C

### MOB34CR

90mW  
 30mA  
 5V

## ELECTRO-OPTICAL CHARACTERISTICS (Ta=25°C)

PARAMETER	SYMBOL	MGB34C	MOB34C	MOB34CR	MSB34C	MYB34C	UNIT	CONDITIONS
Forward Voltage	MAX VF	3.0	3.0	3.0	3.0	3.0	V	IF=20mA
Reverse Breakdown Voltage	MIN BVR	5	5	5	5	5	V	IR=100 μA
Luminous Intensity	MIN IV	7.0	4.5	4.5	0.45*	3.5	mcd	IF=20mA
	TYP	12	6.5	6.5	0.60*	5.0	mcd	
Peak Wavelength	TYP λp	570	630	640	700	585	nm	IF=20mA
Spectral Line Half Width	TYP Δλ	30	40	40	100	35	nm	IF=20mA
Viewing Angle	TYP 2θ 1/2	140	140	140	140	140	degree	IF=20mA

\*IF=10mA

MICRO ELECTRONICS LTD.

38, Hung To Road, Microtron Building, Kwun Tong, Kowloon, Hong Kong.  
 Kwun Tong P.O. Box 69477 Hong Kong. Fax No. 2341 0321 Telex:43510 Micro Hx. Tel: 2343 0181-5

Aug-99

MYB34C

SPATIAL DISTRIBUTION

