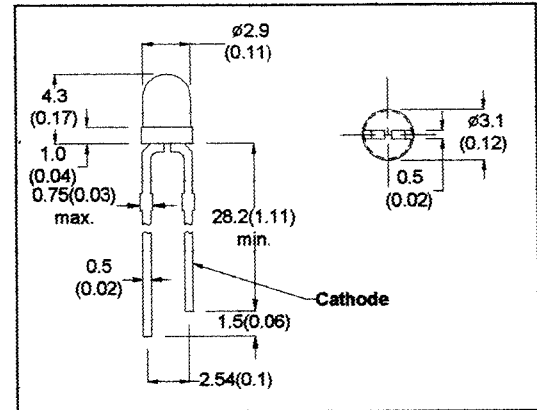


DESCRIPTION

This series of solid state indicators are 3mm diameter low profile lamps.

MGB36TA is green LED with a clear transparent lens.
 MOB36TA is orange LED with an clear transparent lens.
 MSB36T is red LED with An clear transparent lens.
 MYB36TA is yellow LED with a clear transparent lens.



- All Dimension in mm (inch)
- No Scale
- Tol : +/- 0.3mm

ABSOLUTE MAXIMUM RATINGS

Power Dissipation @ Ta=25°C
 Forward Current, DC (IF)
 Reverse Voltage
 Operating & Storage Temperature Range
 Lead Soldering Temperature (1/16" from body)

	<u>MSB36T</u>	<u>MYB36TA</u>	<u>MGB36TA</u> <u>MOB36TA</u>
Power Dissipation	45mW	60mW	90mW
Forward Current, DC (IF)	15mA	20mA	30mA
Reverse Voltage	5V	5V	5V
Operating & Storage Temperature Range	-50 to +100°C		
Lead Soldering Temperature (1/16" from body)	260°C for 5 sec.		

ELECTRO-OPTICAL CHARACTERISTICS (Ta=25°C)

PARAMETER	SYMBOL	MGB36TA	MOB36TA	MSB36T	MYB36TA	UNIT	CONDITIONS
Forward Voltage	MAX VF	3.0	3.0	3.0	3.0	V	IF=20mA
Reverse Breakdown Voltage	MIN BVR	5	5	5	5	V	IR=100 μA
Luminous Intensity	MIN IV	70	50	4.0*	40	mcd	IF=20mA
	TYP	120	70	6.0*	60	mcd	
Peak Wavelength	TYP λp	570	630	700	585	nm	IF=20mA
Spectral Line Half Width	TYP Δλ	30	40	100	35	nm	IF=20mA
Viewing Angle	TYP 2θ 1/2	44	44	44	44	degree	IF=20mA

*IF=10mA