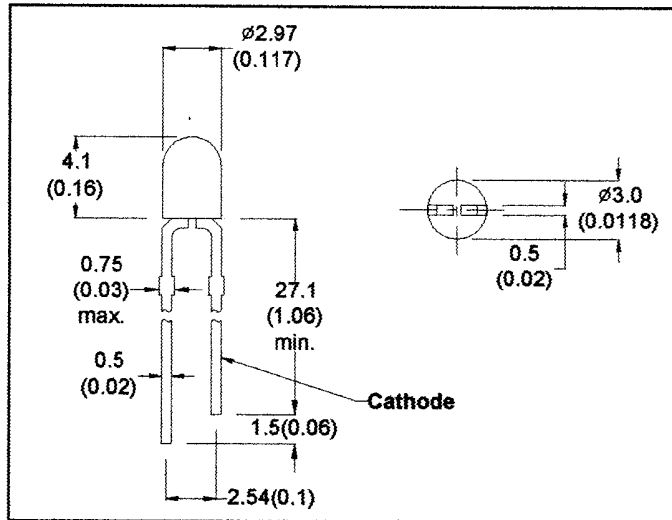


# MICRO ELECTRONICS (MGB38TA)

ULTRA HIGH  
BRIGHTNESS  
GREEN LED LAMP

## DESCRIPTION

MGB38TA-1 (MGB38TA) is a high efficiency green LED lamp encapsulated in a 3mm diameter flangeless low profile, clear transparent lens.



- All Dimension in (inch)
- No Scale
- Tol: +/- 0.3mm

## ABSOLUTE MAXIMUM RATINGS

Power Dissipation @ Ta=25°C	90mW
Forward Current, DC (IF)	30mA
Reverse Voltage	5V
Operating & Storage Temperature Range	-55 to +100°C
Lead Soldering Temperature (1/16" from body)	260°C for 5 sec.

## ELECTRO-OPTICAL CHARACTERISTICS (Ta=25°C)

PARAMETER	SYMBOL	MIN	TYP	MAX	UNIT	CONDITIONS
Forward Voltage	VF		2.2	3.0	V	IF=20mA
Reverse Breakdown Voltage	BVR	5			V	IR=100 $\mu$ A
Luminous Intensity	IV	45	80		mcd	IF=20mA
Peak Wavelength	$\lambda_p$		570		nm	IF=20mA
Spectral Line Half Width	$\Delta\lambda$		30		nm	IF=20mA
Viewing Angle	2 $\theta$ 1/2		20		degree	IF=20mA

MICRO ELECTRONICS LTD.

38, Hung To Road, Microtron Building, Kwun Tong, Kowloon, Hong Kong.

Kwun Tong P.O. Box 69477 Hong Kong. Fax No. 2341 0321 Telex:43510 Micro Hx. Tel: 2343 0181-5

Aug-99