

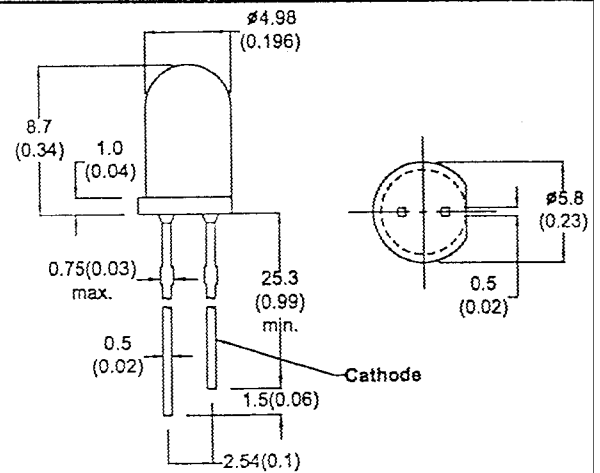
MICRO ELECTRONICS

- MGB51DH
- MOB51DH
- MOB51DRH
- MSB51DH
- MUB51DH
- MYB51DH

DESCRIPTION

This series lamps are low current high efficiency LED, encapsulated in a $\phi 5\text{mm}$, T-1 3/4 standard package with 1 inch lead.

- MGB51DH is a green LED with green diffused lens.
- MOB51DH is a orange LED with orange diffused lens.
- MOB51DRH is a high efficiency red LED with red diffused lens.
- MSB51DH is a red LED with red diffused lens.
- MUB51DH is a GaAlAs red LED with red diffused lens.
- MYB51DH is a yellow LED with yellow diffused lens.



- All dimension in mm(inch)
- No Scale
- Tol. : +/-0.3mm

ABSOLUTE MAXIMUM RATINGS

- Power Dissipation @ $T_a=25^\circ\text{C}$
- Forward Current, DC (IF)
- Reverse Voltage
- Operating & Storage Temperature Range
- Lead Temperature

	<u>MSB51DH</u>	<u>MYB51DH</u>	<u>MGB51DH</u> <u>MOB51DH</u> <u>MOB51DRH</u> <u>MUB51DH</u>
Power Dissipation	40mW	60mW	100mW
Forward Current, DC (IF)	15mA	20mA	30mA
Reverse Voltage	5V	5V	5V
Operating & Storage Temperature Range	-55 to +100°C		
Lead Temperature	260°C		

ELECTRO-OPTICAL CHARACTERISTICS (Ta=25°C)

PARAMETER	SYMBOL	MGB	MOB	MOB*	MSB	MUB	MYB	UNIT	CONDITIONS
Forward Voltage	MAX	VF	3.0	3.0	3.0	3.0	3.0	V	IF=20mA
Reverse Breakdown Voltage	MIN	BVR	5	5	5	5	5	V	IR=100 μ A
Luminous Intensity	MIN	IV	2	2	1.5	1.5**	1.5	mcd	IF=2mA
	TYP		3	3	2.5	2.5**	3	mcd	IF=2mA
Peak Wavelength	TYP	λ_p	565	630	645	650	660	nm	IF=20mA
Spectral Line Half Width	TYP	$\Delta\lambda$	35	40	40	100	20	nm	IF=20mA

* MOB51DRH

** IV @ IF=1mA.



MICRO ELECTRONICS LTD. 美科有限公司

38, Hung To Road, Microtron Building, Kwun Tong, Kowloon, Hong Kong.
Kwun Tong P.O. Box 69477 Hong Kong. Fax No. 2341 0321 Telex: 43510 Micro Hx. Tel: 2343 0181-5