

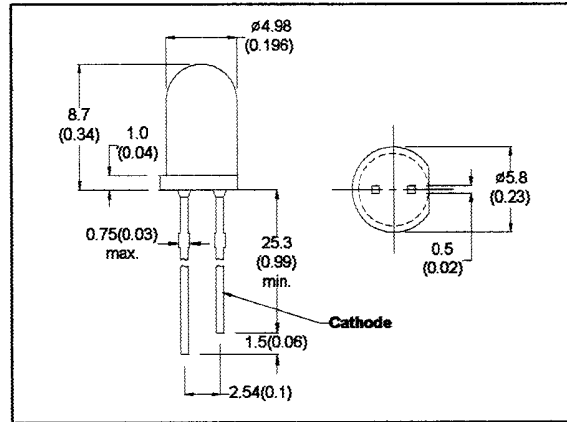
# MICRO ELECTRONIC

(MGB51TA)

ULTRA HIGH  
BRIGHTNESS  
GREEN LED LAMP

## DESCRIPTION

MGB51TA-X is high efficiency green LED lamp encapsulated in a 5mm diameter clear transparent lens .



- All Dimension in mm (inch)
- No Scale
- Tol : +/- 0.3mm

## ABSOLUTE MAXIMUM RATINGS

Power Dissipation @ Ta=25°C	90mW
Forward Current, DC (IF)	30mA
Reverse Voltage	5V
Operating & Storage Temperature Range	-55 to +100°C
Lead Soldering Temperature (1/16" from body)	260°C for 5 sec.

## ELECTRO-OPTICAL CHARACTERISTICS (Ta=25°C)

PARAMETER	SYMBOL	MIN	TYP	MAX	UNIT	CONDITIONS
Forward Voltage	VF		2.2	3.0	V	IF=20mA
Reverse Breakdown Voltage	BVR	5			V	IR=100 μA
Luminous Intensity	IV				mcd	IF=20mA
MGB51TA or MGB51TA-1		200	500		mcd	IF=20mA
MGB51TA-2		350	650		mcd	IF=20mA
MGB51TA-3		500	800		mcd	IF=20mA
Peak Wavelength	λp		570		nm	IF=20mA
Spectral Line Half Width	Δλ		30		nm	IF=20mA
Viewing Angle	2θ 1/2		20		degree	IF=20mA

MICRO ELECTRONICS LTD.

38, Hung To Road, Microtron Bulding, Kwun Tong, Kowloon, Hong Kong.

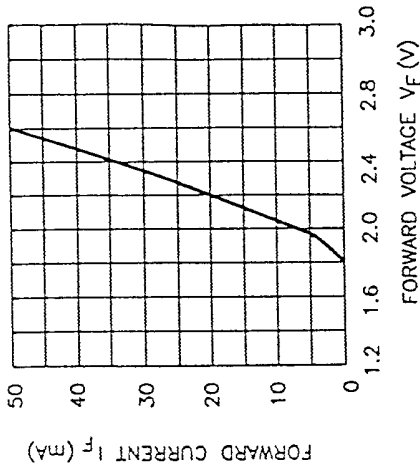
Kwun Tong P.O. Box 69477 Hong Kong. Fax No. 2341 0321 Telex:43510 Micro Hx. Tel: 2343 0181-5

Rev.A.

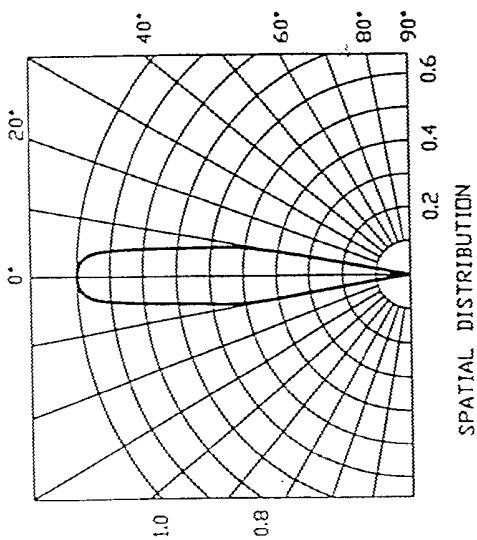
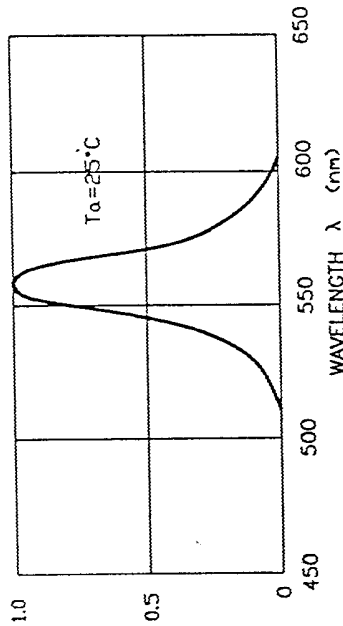
Sep-99

# MGB51TA-X

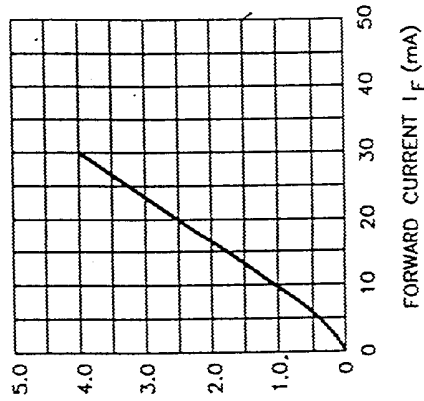
FORWARD CURRENTS VS FORWARD VOLTAGE



RELATIVE INTENSITY VS WAVELENGTH

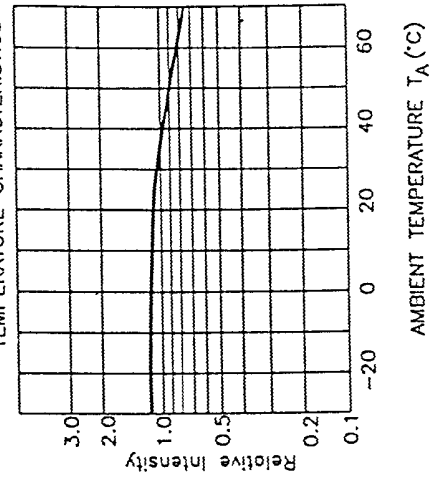


INTENSITY VS I<sub>F</sub>



RELATIVE LUMINOUS INTENSITY (NORMALIZED AT 20 mA)

LUMINOUS INTENSITY VS AMBIENT TEMPERATURE CHARACTERISTICS



FORWARD CURRENT VS. DERATING CURVE

