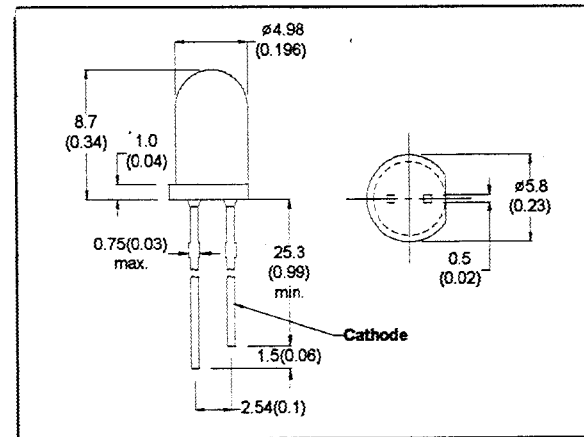


### DESCRIPTION

MGB51TAH is high efficiency AlGaInP super green LED lamp encapsulated in a 5mm diameter, clear transparent lens.



- All Dimension in mm (inch)
- No Scale
- Tol : +/- 0.3mm

### ABSOLUTE MAXIMUM RATINGS

Power Dissipation @ Ta=25°C	100mW
Forward Current, DC (IF)	30mA
Reverse Voltage	4V
Operating & Storage Temperature Range	-55 to +100°C
Lead Soldering Temperature (1/16" from body)	260°C for 5 sec.

### ELECTRO-OPTICAL CHARACTERISTICS (Ta=25°C)

PARAMETER	SYMBOL	MIN	TYP	MAX	UNIT	CONDITIONS
Forward Voltage	VF		2.4	3.0	V	IF=20mA
Reverse Breakdown Voltage	BVR	4			V	IR=200μA
Luminous Intensity	IV	900	1800		mcd	IF=20mA
Peak Wavelength	λp		574		nm	IF=20mA
Spectral Line Half Width	Δλ		30		nm	IF=20mA
Viewing Angle	2θ 1/2		20		degree	IF=20mA

**MICRO ELECTRONICS LTD.**

38, Hung To Road, Microtron Building, Kwun Tong, Kowloon, Hong Kong.

Kwun Tong P.O. Box 69477 Hong Kong. Fax No. 2341 0321 Telex:43510 Micro Hx. Tel: 2343 0181-5

Jun-99