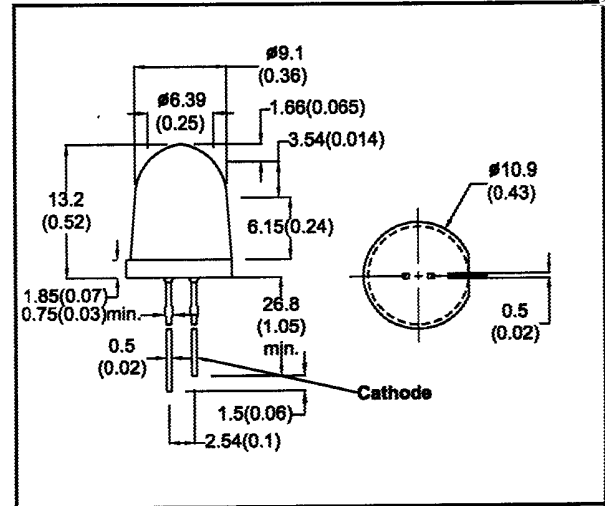


# MICRO ELECTRONICS

**MGB90TA-X  
(MGB90TA)  
ULTRA HIGH  
BRIGHTNESS  
GREEN LED LAMP**

## DESCRIPTION

MGB90TA-X is high efficiency green LED lamp encapsulated in a 10mm diameter clear transparent lens with an optimum viewing angle.



- All dimension in mm(inch)
- No Scale
- Tol. : +/-0.3mm

## ABSOLUTE MAXIMUM RATINGS

Power Dissipation @ Ta=25°C	100mW
Forward Current, DC (IF)	30mA
Reverse Voltage	5V
Operating & Storage Temperature Range	-55 to +100°C
Lead Temperature	260°C

## ELECTRO-OPTICAL CHARACTERISTICS (Ta=25°C)

PARAMETER	SYMBOL	MIN	TYP	MAX	UNIT	CONDITIONS
Forward Voltage	VF			3	V	IF=20mA
Reverse Breakdown Voltage	BVR	5			V	IR=100 μA
Luminous Intensity	IV				mcd	IF=20mA
MGB90TA or MGB90TA-1		450	900		mcd	IF=20mA
MGB90TA-2		750	1150		mcd	IF=20mA
MGB90TA-3		1000	1400		mcd	IF=20mA
Peak Wavelength	λp		570		nm	IF=20mA
Spectral Line Half Width	Δλ		30		nm	IF=20mA
Viewing Angle	2θ/2		16		degree	IF=20mA



MICRO ELECTRONICS LTD.

38, Hung To Road, Microtron Building, Kwun Tong, Kowloon, Hong Kong.

Kwun Tong P.O. Box 69477 Hong Kong. Fax No. 2341 0321 Telex:43510 Micro Hx. Tel: 2343 0181-5

Jan-99