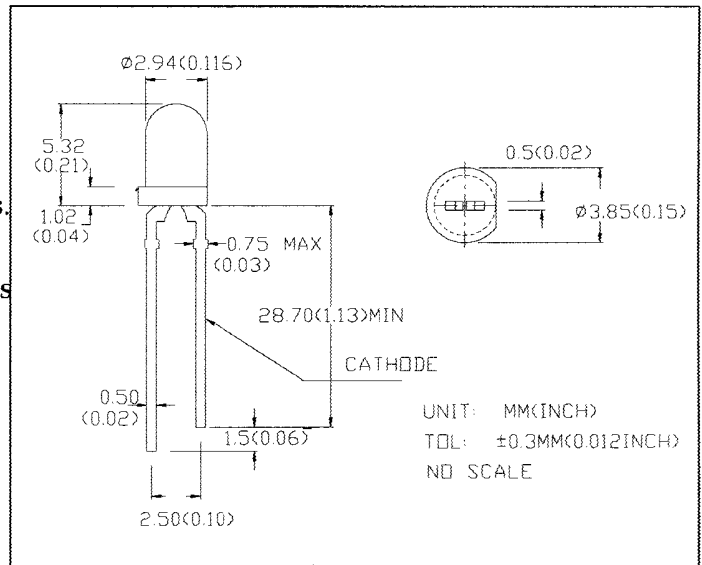


MELECTRONICSICRO

MGC32D
MGC32TA
MGC32W
GREEN LED LAMPS

DESCRIPTION

MGC32 Series are green LED lamps with 3mm diameter epoxy package and long leads.
 MGC32C is green chip with green transparent lens.
 MGC32D is green chip with green diffused lens.
 MGC32TA is green chip with clear transparent lens.
 MGC32W is green chip with clear diffused lens.



ABSOLUTE MAXIMUM RATINGS

| | |
|--|------------------|
| Power Dissipation @ Ta=25°C | 100mW |
| Forward Current, DC (IF) | 30mA |
| Reverse Voltage | 5V |
| Operating & Storage Temperature Range | -55 to +100°C |
| Lead Soldering Temperature (1/16" from body) | 260°C for 5 sec. |

ELECTRO-OPTICAL CHARACTERISTICS (Ta=25°C)

| PARAMETER | SYMBOL | MGC32C | MGC32D | MGC32TA | MGC32W | UNIT | CONDITIONS |
|---------------------------|------------|--------|--------|---------|--------|--------|------------|
| Forward Voltage | MAX VF | 3.0 | 3.0 | 3.0 | 3.0 | V | IF=20mA |
| Reverse Breakdown Voltage | MIN BVR | 5 | 5 | 5 | 5 | V | IR=100µA |
| Luminous Intensity | MIN IV | 100 | 25 | 100 | 25 | mcd | IF=20mA |
| | TYP | 150 | 40 | 150 | 40 | mcd | |
| Peak Wavelength | TYP λp | 570 | 570 | 570 | 570 | nm | IF=20mA |
| Spectral Line Half Width | TYP Δλ | 30 | 30 | 30 | 30 | nm | IF=20mA |
| Viewing Angle | TYP 2θ 1/2 | 30 | 50 | 30 | 50 | degree | IF=20mA |



MICRO ELECTRONICS LTD.
 38, Hung To Road, Microtron Building, Kwun Tong, Kowloon, Hong Kong.
 Kwun Tong P.O. Box 69477 Hong Kong. Fax No. 2341 0321 Telex:43510 Micro Hx. Tel: 2343 0181-5

Nov-00