

DESCRIPTION

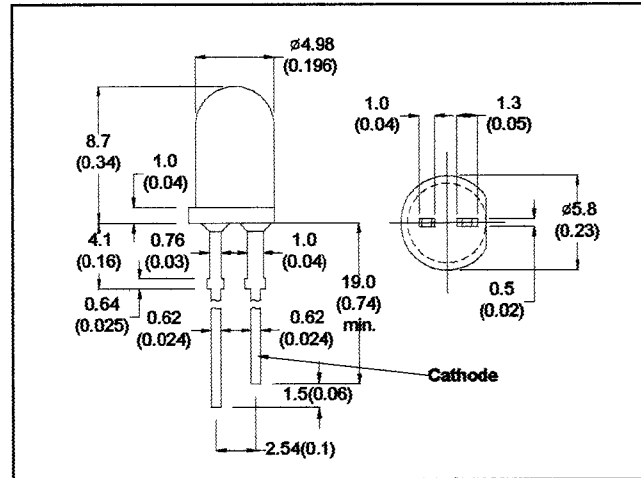
MO51 Series are orange LED lamp with 5mm diameter epoxy package.

MO51C is orange chip with orange transparent lens.

MO51D is orange chip with orange diffused lens.

MO51T is orange chip with clear transparent lens.

MG51W is orange chip with clear diffused lens.



- All Dimension in mm (inch)
- No Scale
- Tol : +/- 0.3mm

ABSOLUTE MAXIMUM RATINGS

Power Dissipation @ Ta=25°C	90mW
Forward Current, DC (IF)	30mA
Reverse Voltage	5V
Operating & Storage Temperature Range	-55 to +100°C
Lead Soldering Temperature (1/16" from body)	260°C for 5 sec.

ELECTRO-OPTICAL CHARACTERISTICS (Ta=25°C)

PARAMETER	SYMBOL	MO51C	MO51D	MO51T	MO51W	UNIT	CONDITIONS
Forward Voltage	MAX VF	3.0	3.0	3.0	3.0	V	IF=20mA
Reverse Breakdown Voltage	MIN BVR	5	5	5	5	V	IR=100 μA
Luminous Intensity	MIN IV	45	6.5	45	6.5	mcd	IF=20mA
	TYP	60	10	60	10	mcd	
Peak Wavelength	TYP λp	630	630	630	630	nm	IF=20mA
Spectral Line Half Width	TYP Δλ	40	40	40	40	nm	IF=20mA

MICRO ELECTRONICS LTD.

38, Hung To Road, Microtron Building, Kwun Tong, Kowloon, Hong Kong.

Kwun Tong P.O. Box 69477 Hong Kong. Fax No. 2341 0321 Telex:43510 Micro Hx. Tel: 2343 0181-5

Rev.A.

Sep-99