

MICRO ELECTRONICS

MOB100CAH
MOB100DAH

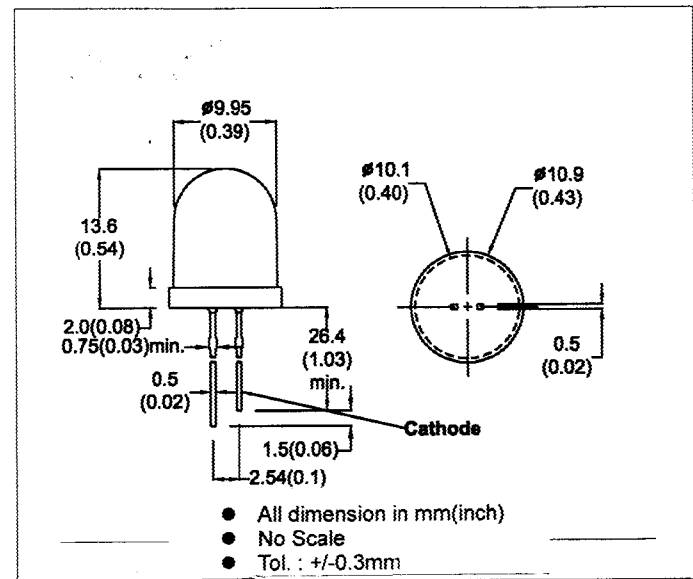
ULTRA HIGH
BRIGHTNESS
ORANGE LED LAMP

DESCRIPTION

MOB100CAH and MOB100DAH are ultra high efficiency AlGaInP super orange LED lamp encapsulated in a 10mm diameter large package.

MOB100CAH is orange transparent lens.

MOB100DAH is orange duffused lens.



ABSOLUTE MAXIMUM RATINGS

Power Dissipation @ Ta=25°C	90mW
Forward Current, DC (IF)	30mA
Reverse Voltage	5V
Operating & Storage Temperature Range	-55 to +100°C
Lead Soldering Temperature (1/16" from body)	260°C for 5 sec.

ELECTRO-OPTICAL CHARACTERISTICS (Ta=25°C)

PARAMETER	SYMBOL	MIN	TYP	MAX	UNIT	CONDITIONS
Forward Voltage	VF		2.4	3.0	V	IF=20mA
Reverse Breakdown Voltage	BVR	5			V	IR=100μA
Luminous Intensity	IV					
	MOB100CAH	2200	3000		mcd	IF=20mA
	MOB100DAH	300	400		mcd	IF=20mA
Peak Wavelength	λp	615	620	625	nm	IF=20mA
Spectral Line Half Width	Δλ		17	20	nm	IF=20mA
Viewing Angle	2θ 1/2					
	MOB100CAH		28		degree	IF=20mA
	MOB100DAH		60		degree	IF=20mA



MICRO ELECTRONICS LTD.

38, Hung To Road, Microtron Building, Kwun Tong, Kowloon, Hong Kong.

Kwun Tong P.O. Box 69477 Hong Kong. Fax No. 2341 0321 Telex: 43510 Micro Hx. Tel: 2343 0181-5