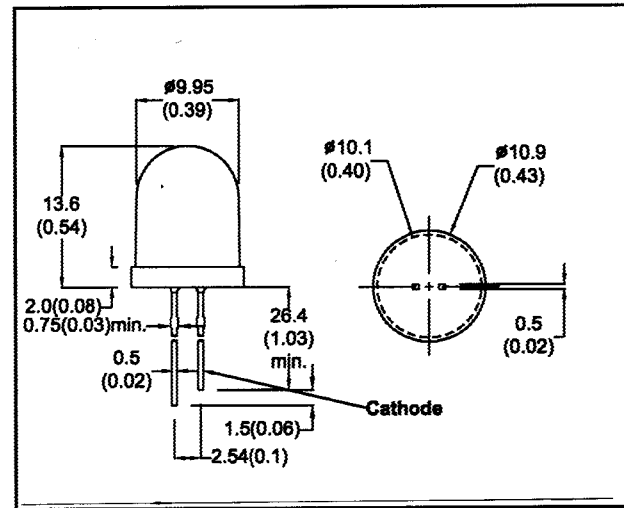


DESCRIPTION

MOB100D and MOB100DR are high efficiency orange LED lamp encapsulated in a 10mm diameter, large package.

MOB100D is orange diffused lens.
MOB100DR is red diffused lens.



- All dimension in mm(inch)
- No Scale
- Tol. : +/-0.3mm

ABSOLUTE MAXIMUM RATINGS

Power Dissipation @ Ta=25°C	90mW
Forward Current, DC (IF)	30mA
Reverse Voltage	5V
Operating & Storage Temperature Range	-55 to +100°C
Lead Temperature	260°C

ELECTRO-OPTICAL CHARACTERISTICS (Ta=25°C)

PARAMETER	SYMBOL	MOB100D	MOB100DR	UNIT	CONDITIONS
Forward Voltage	MAX VF	3.0	3.0	V	IF=20mA
Reverse Breakdown Voltage	MIN BVR	5	5	V	IR=100 μA
Luminous Intensity	MIN IV	18	18	mcd	IF=20mA
	TYP	32	32	mcd	
Peak Wavelength	TYP λp	630	640	nm	IF=20mA
Spectral Line Half Width	TYP Δλ	40	40	nm	IF=20mA
Viewing Angle	TYP 2θ 1/2	60	60	degree	IF=20mA

