

DESCRIPTION

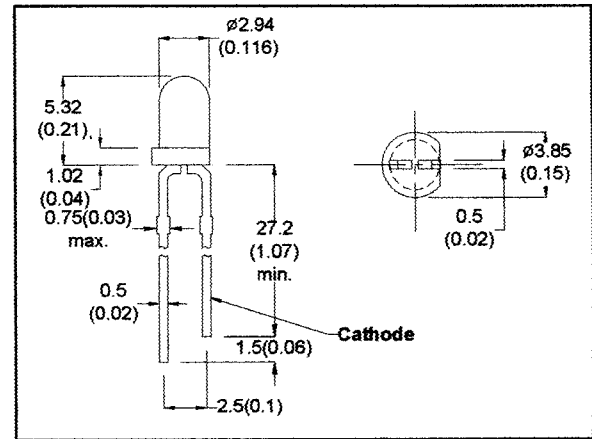
MOB32 Series are orange LED lamp with 3mm diameter epoxy package.

MOB32C is orange chip with orange transparent lens.

MOB32D is orange chip with orange diffused lens.

MOB32TA is orange chip with clear transparent lens.

MGB32W is orange chip with clear diffused lens.



- All Dimension in mm (inch)
- No Scale
- Tol : +/- 0.3mm

ABSOLUTE MAXIMUM RATINGS

Power Dissipation @Ta=25°C

Forward Current, DC (IF)

Reverse Voltage

Operating & Storage Temperature Range

Lead Soldering Temperature (1/16" from body)

90mW

30mA

5V

-55 to +100°C

260°C for 5 sec.

ELECTRO-OPTICAL CHARACTERISTICS (Ta=25°C)

PARAMETER	SYMBOL	MOB32C	MOB32D	MOB32TA	MOB32W	UNIT	CONDITIONS
Forward Voltage	MAX VF	3.0	3.0	3.0	3.0	V	IF=20mA
Reverse Breakdown Voltage	MIN BVR	5	5	5	5	V	IR=100 μA
Luminous Intensity	MIN IV	45	18	45	18	mcd	IF=20mA
	TYP	60	22	60	22	mcd	
Peak Wavelength	TYP λp	630	630	630	630	nm	IF=20mA
Spectral Line Half Width	TYP Δλ	40	40	40	40	nm	IF=20mA
Viewing Angle	TYP 2θ 1/2	30	50	30	50	degree	IF=20mA

MICRO ELECTRONICS LTD.

38, Hung To Road, Microtron Building, Kwun Tong, Kowloon, Hong Kong.

Kwun Tong P.O. Box 69477 Hong Kong. Fax No. 2341 0321 Telex:43510 Micro Hx. Tel: 2343 0181-5

Aug-99