

MICRO ELECTRONICS

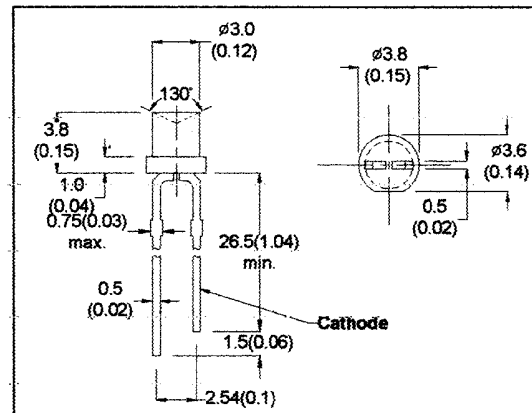
MOB34T
MSB34T
MYB34T

3mm CYLINDRIC
LED LAMPS

DESCRIPTION

This series of solid state indicators are 3mm diameter cylindric lamps

MGB34T is green LED with a clear transparent lens.
MOB34T is orange LED with an clear transparent lens.
MSB34T is red LED with An clear transparent lens.
MYB34T is yellow LED with a clear transparent lens.



- All Dimension in mm (inch)
- No Scale
- Tol: +/- 0.3mm

ABSOLUTE MAXIMUM RATINGS

Power Dissipation @ Ta=25°C
Forward Current, DC (IF)
Reverse Voltage
Operating & Storage Temperature Range
Lead Soldering Temperature (1/16" from body)

MSB34T

45mW
15mA
5V

MYB34T

60mW
20mA
5V
-50 to +100°C
260°C for 5 sec.

MGB34T

MOB34T

90mW
30mA
5V

ELECTRO-OPTICAL CHARACTERISTICS (Ta=25°C)

PARAMETER	SYMBOL	MGB34T	MOB34T	MSB34T	MYB34T	UNIT	CONDITIONS
Forward Voltage	MAX VF	3.0	3.0	3.0	3.0	V	IF=20mA
Reverse Breakdown Voltage	MIN BVR	5	5	5	5	V	IR=100 μA
Luminous Intensity	MIN IV	7.0	4.5	0.45*	3.5	mcd	IF=20mA
	TYP	12	6.5	0.60*	5.0	mcd	
Peak Wavelength	TYP λp	570	630	700	585	nm	IF=20mA
Spectral Line Half Width	TYP Δλ	30	40	100	35	nm	IF=20mA
Viewing Angle	TYP 2θ 1/2	140	140	140	140	degree	IF=20mA

*IF=10mA

MICRO ELECTRONICS LTD.

38, Hung To Road, Microtron Bulding, Kwun Tong, Kowloon, Hong Kong.
Kwun Tong P.O. Box 69477 Hong Kong. Fax No. 2341 0321 Telex:43510 Micro Hx. Tel: 2343 0181-5

Aug-99