

MICRO ELECTRONICS

MOB51C
MOB51D
MOB51T
MOB51W

ORANGE LED LAMPS

DESCRIPTION

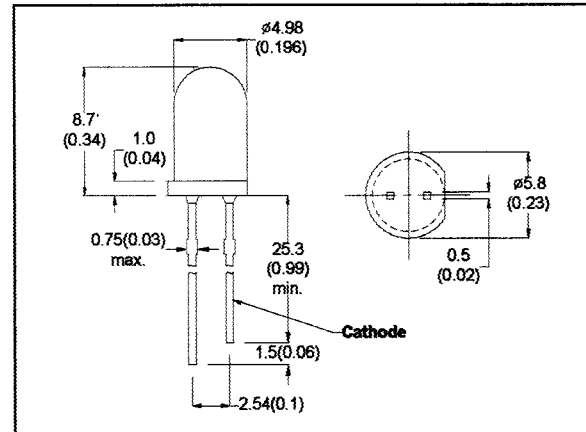
MOB51 Series are orange LED lamp with 5mm diameter epoxy package.

MOB51C is orange chip with orange transparent lens.

MOB51D is orange chip with orange diffused lens.

MOB51T is orange chip with clear transparent lens.

MOB51W is orange chip with clear diffused lens.



- All Dimension in mm (inch)
- No Scale
- Tol : +/- 0.3mm

ABSOLUTE MAXIMUM RATINGS

Power Dissipation @ Ta=25°C	90mW
Forward Current, DC (IF)	30mA
Reverse Voltage	5V
Operating & Storage Temperature Range	-55 to +100°C
Lead Soldering Temperature (1/16" from body)	260°C for 5 sec.

ELECTRO-OPTICAL CHARACTERISTICS (Ta=25°C)

PARAMETER	SYMBOL	MOB51C	MOB51D	MOB51T	MOB51W	UNIT	CONDITIONS
Forward Voltage	MAX VF	3.0	3.0	3.0	3.0	V	IF=20mA
Reverse Breakdown Voltage	MIN BVR	5	5	5	5	V	IR=100 μA
Luminous Intensity	MIN IV	80	35	80	35	mcd	IF=20mA
	TYP	150	60	150	60	mcd	
Peak Wavelength	TYP λp	630	630	630	630	nm	IF=20mA
Spectral Line Half Width	TYP Δλ	40	40	40	40	nm	IF=20mA

MICRO ELECTRONICS LTD.

38, Hung To Road, Microtron Building, Kwun Tong, Kowloon, Hong Kong.

Kwun Tong P.O. Box 69477 Hong Kong. Fax No. 2341 0321 Telex:43510 Micro Hx. Tel: 2343 0181-5

Rev.A.

Sep-99