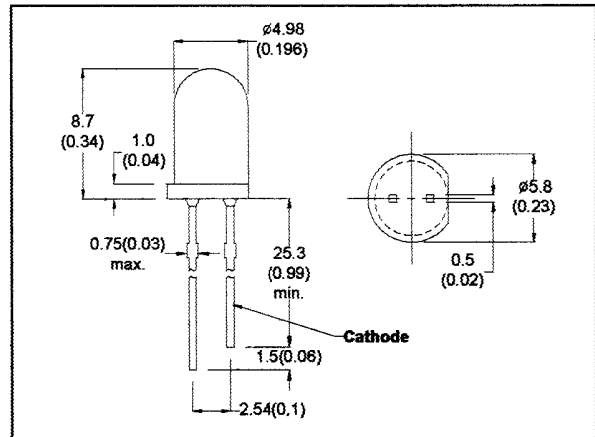


MICRO ELECTRONICS

**ULTRA HIGH
BRIGHTNESS
ORANGE LED LAMP**

DESCRIPTION

MOB51CAS-X is an high brightness AlGaInP output orange LED lamp encapsulated in a 5mm diameter, orange transparent lens. 3 brightness grouping is provided for customer's selection.



- All Dimension in mm (inch)
- No Scale
- Tol : +/- 0.3mm

ABSOLUTE MAXIMUM RATINGS

Power Dissipation @ Ta=25°C	90mW
Forward Current, DC (IF)	30mA
Reverse Voltage	5V
Operating & Storage Temperature Range	-55 to +100°C
Lead Soldering Temperature (1/16" from body)	260°C for 5 sec.

ELECTRO-OPTICAL CHARACTERISTICS (Ta=25°C)

PARAMETER	SYMBOL	MIN	TYP	MAX	UNIT	CONDITIONS
Forward Voltage	VF		2.0	3.0	V	IF=20mA
Reverse Breakdown Voltage	BVR	5			V	IR=100μA
Luminous Intensity	IV				mcd	IF=20mA
	-1	1000	1500		mcd	IF=20mA
	-2	1500	2000		mcd	IF=20mA
	-3	2000	3000		mcd	IF=20mA
Peak Wavelength	λ_p		610		nm	IF=20mA
Spectral Line Half Width	$\Delta\lambda$		17	20	nm	IF=20mA
Viewing Angle	2 θ 1/2		20		degree	IF=20mA

Rev.A.

MICRO ELECTRONICS LTD.

38, Hung To Road, Microtron Building, Kwun Tong, Kowloon, Hong Kong.

Kwun Tong P.O. Box 89477 Hong Kong Fax No. 2341 0321 Telex 43510 Micro Hk Tel: 2343 0181-5

Sep-99