

MICRO

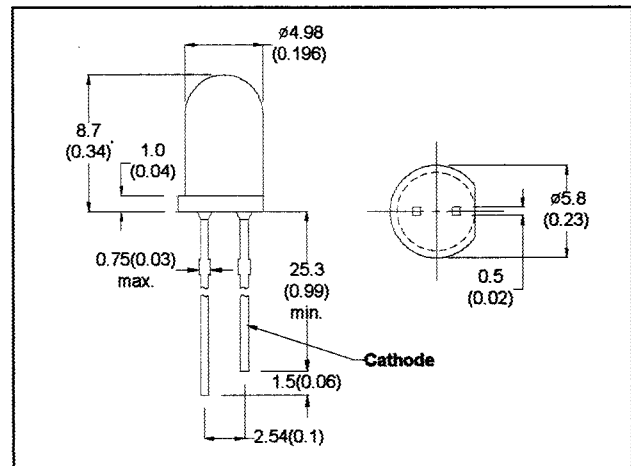
ELECTRONICS

MOB51TA

ULTRA HIGH
BRIGHTNESS
ORANGE LED LAMP

DESCRIPTION

MOB51TA is an ultra high brightness output orange LED lamp encapsulated in a 5mm diameter, clear transparent lens with an optimum viewing angle.



- All Dimension in mm (inch)
- No Scale
- Tol : +/- 0.3mm

ABSOLUTE MAXIMUM RATINGS

Power Dissipation @ Ta=25°C	90mW
Forward Current, DC (IF)	30mA
Reverse Voltage	5V
Operating & Storage Temperature Range	-55 to +100°C
Lead Soldering Temperature (1/16" from body)	260°C for 5 sec.

ELECTRO-OPTICAL CHARACTERISTICS

(Ta=25°C)

PARAMETER	SYMBOL	MIN	TYP	MAX	UNIT	CONDITIONS
Forward Voltage	VF		2.0	3.0	V	IF=20mA
Reverse Breakdown Voltage	BVR	5			V	IR=100 μA
Luminous Intensity	IV	160	220		mcd	IF=20mA
Peak Wavelength	λp		630		nm	IF=20mA
Spectral Line Half Width	Δλ		40		nm	IF=20mA

Rev.A.

MICRO ELECTRONICS LTD.

38, Hung To Road, Microtron Building, Kwun Tong, Kowloon, Hong Kong.

Kwun Tong P.O. Box 69477 Hong Kong. Fax No. 2341 0321 Telex:43510 Micro Hx. Tel: 2343 0181-5

Sep-99