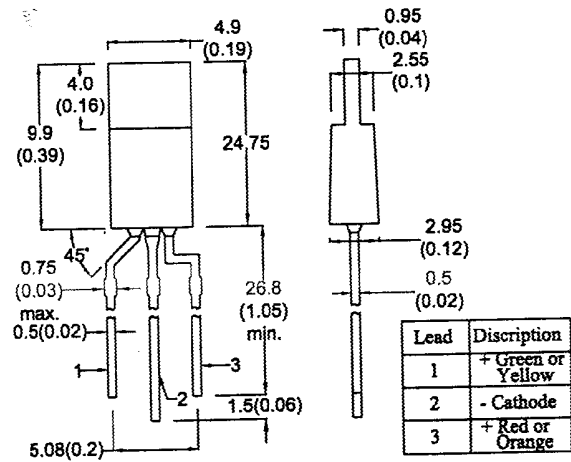


### DESCRIPTION

An orange and green lamp made of GaAsP, GaP offering a changing color characteristics dependent on the direction the lamp is biased. These two light emitting diodes are mounted in a rectangular 0.95mm x 4.90mm dual color, white diffused lens.



- All dimension in mm(inch)
- No Scale
- Tol. : +/-0.3mm

### ABSOLUTE MAXIMUM RATINGS

Power Dissipation @ Ta=25°C

Forward Current, DC (IF)

Reverse Voltage

Operating & Storage Temperature Range

Lead Soldering Temperature (1/16" from body, 5 seconds)

#### ORANGE

90mW

30mA

5V

-55 to +100°C

260°C

#### GREEN

90mW

30mA

5V

### ELECTRO-OPTICAL CHARACTERISTICS

(Ta=25°C)

PARAMETER	MAX	MIN	SYMBOL	ORANGE	GREEN	UNIT	CONDITIONS
Forward Voltage			VF	3.0	3.0	V	IF=20mA
Reverse Breakdown Voltage			BVR	5	5	V	IR=100μA
Luminous Intensity			IV	2.0	3.0	mcd	IF=20mA
			TYP	3.0	4.0	mcd	IF=20mA
Peak Wavelength			λp	630	570	nm	IF=20mA
Spectral Line Half Width			Δλ	35	30	nm	IF=20mA



MICRO ELECTRONICS LTD.

38, Hung To Road, Microtron Building, Kwun Tong, Kowloon, Hong Kong.

Kwun Tong P.O. Box 69477 Hong Kong. Fax No. 2341 0321 Telex:43510 Micro Hx. Tel: 2343 0181-5