

#### DESCRIPTION

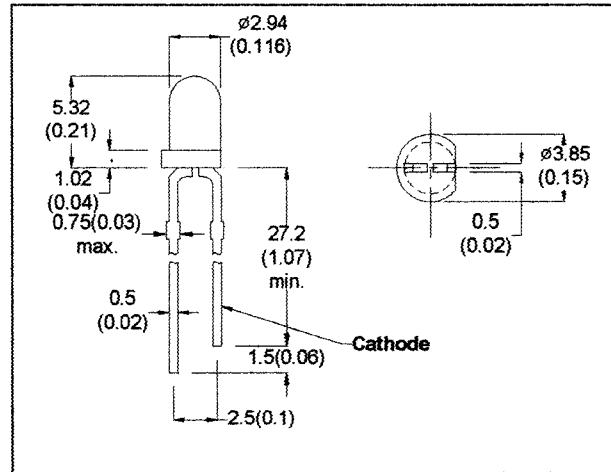
MRB32 Series are red LED lamp with 3mm diameter epoxy package.

MRB32C is red chip with red transparent lens.

MRB32D is red chip with red diffused lens.

MRB32T is red chip with clear transparent lens.

MRB32W is red chip with clear diffused lens.



- All Dimension in mm (inch)
- No Scale
- Tol: +/- 0.3mm

#### ABSOLUTE MAXIMUM RATINGS

Power Dissipation @Ta=25°C

Forward Current, DC (IF)

Reverse Voltage

Operating & Storage Temperature Range

Lead Soldering Temperature (1/16" from body)

80mW

40mA

5V

-55 to +100°C

260°C for 5 sec.

#### ELECTRO-OPTICAL CHARACTERISTICS (Ta=25°C)

PARAMETER	SYMBOL	MRB32C	MRB32D	MRB32T	MRB32W	UNIT	CONDITIONS
Forward Voltage	MAX VF	2.0	2.0	2.0	2.0	V	IF=20mA
Reverse Breakdown Voltage	MIN BVR	5	5	5	5	V	IR=100 μA
Luminous Intensity	MIN IV	5	1.2	5	1.2	mcd	IF=20mA
	TYP	7	1.6	7	1.6	mcd	
Peak Wavelength	TYP λp	660	660	660	660	nm	IF=20mA
Spectral Line Half Width	TYP	20	20	20	20	nm	IF=20mA
Viewing Angle	TYP 2θ 1/2	30	50	30	50	degree	IF=20mA

MICRO ELECTRONICS LTD.

38, Hung To Road, Microtron Building, Kwun Tong, Kowloon, Hong Kong.

Kwun Tong P.O. Box 69477 Hong Kong. Fax No. 2341 0321 Telex: 43510 Micro Hx. Tel: 2343 0181-5

Aug-99