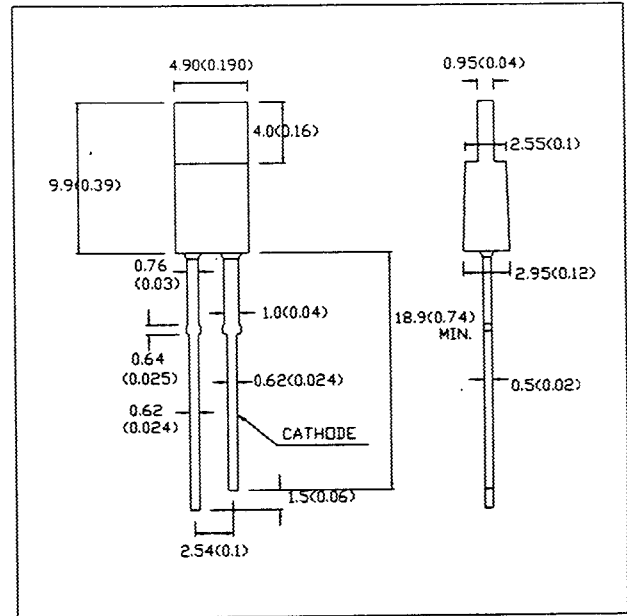


# MICRO ELECTRONICS

MS73DA  
 ULTRA HIGH  
 BRIGHTNESS  
 RECTANGULAR BAR  
 RED LED LAMP

## DESCRIPTION

MS73DA is an ultra high brightness output red GaAlAs LED lamp encapsulated in a 1mm x 5mm rectangular bars with red diffused lens.



- All dimension in mm(inch)
- No Scale
- Tol. : +/-0.3mm

## ABSOLUTE MAXIMUM RATINGS

Power Dissipation @ Ta=25°C  
 Forward Current, DC (IF)  
 Reverse Voltage  
 Operating & Storage Temperature Range  
 Lead Soldering Temperature (1/16" from body)

100mW  
 40mA  
 5V  
 -55 to +100°C  
 260°C for 5 sec.

## ELECTRO-OPTICAL CHARACTERISTICS (Ta=25°C)

PARAMETER	SYMBOL	MIN	TYP	MAX	UNIT	CONDITIONS
Forward Voltage	VF		1.8	2.4	V	IF=20mA
Reverse Breakdown Voltage	BVR	5			V	IR=100μA
Luminous Intensity	IV	2.2	3.0		mcd	IF=20mA
Peak Wavelength	λp		660		nm	IF=20mA
Spectral Line Half Width	Δλ		20		nm	IF=20mA



MICRO ELECTRONICS LTD.

38, Hung To Road, Microtron Building, Kwun Tong, Kowloon, Hong Kong.

Kwun Tong P.O. Box 69477 Hong Kong. Fax No. 2341 0321 Telex:43510 Micro Hx. Tel: 2343 0181-5