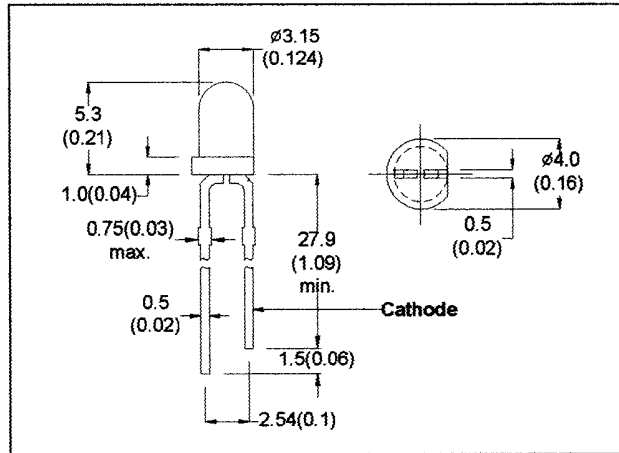


MICRO ELECTRONICS (MSB31TA)

ULTRA HIGH BRIGHTNESS RED LED LAMP

DESCRIPTION

MSB31TA-X is an ultra high brightness output red GaAlAs LED lamp encapsulated in a 3mm diameter clear transparent lens. 6 brightness grouping is provided for customer's selection.



- All Dimension in mm (inch)
- No Scale
- Tol : +/- 0.3mm

ABSOLUTE MAXIMUM RATINGS

| | |
|--|------------------|
| Power Dissipation @Ta=25°C | 100mW |
| Forward Current, DC (IF) | 40mA |
| Reverse Voltage | 5V |
| Operating & Storage Temperature | -55 to +100°C |
| Lead Soldering Temperature (1/16" from body) | 260°C for 5 sec. |

ELECTRO-OPTICAL CHARACTERISTICS (Ta=25°C)

| PARAMETER | SYMBOL | MIN | TYP | MAX | UNIT | CONDITIONS |
|---------------------------|--------|-----|-----|-----|--------|------------|
| Forward Voltage | VF | | 1.8 | 2.4 | V | IF=20mA |
| Reverse Breakdown Voltage | BVR | 5 | | | V | IR=100 μA |
| Luminous Intensity | IV | | | | mcd | IF=20mA |
| | | 65 | 120 | | mcd | |
| MSB31TA & | -1 | 150 | 250 | | mcd | IF=20mA |
| | -2 | 220 | 300 | | mcd | IF=20mA |
| | -3 | 300 | 360 | | mcd | IF=20mA |
| | -4 | 380 | 450 | | mcd | IF=20mA |
| | -5 | 500 | 600 | | mcd | IF=20mA |
| Peak Wavelength | λp | | 660 | | nm | IF=20mA |
| Spectral Line Half Width | Δλ | | 20 | | nm | IF=20mA |
| Viewing Angle | 2θ 1/2 | | 40 | | degree | IF=20mA |

MICRO ELECTRONICS LTD.

38, Hung To Road, Microtron Building, Kwun Tong, Kowloon, Hong Kong.

Kwun Tong P.O. Box 69477 Hong Kong. Fax No. 2341 0321 Telex:43510 Micro Hx. Tel: 2343 0181-5

Aug-99