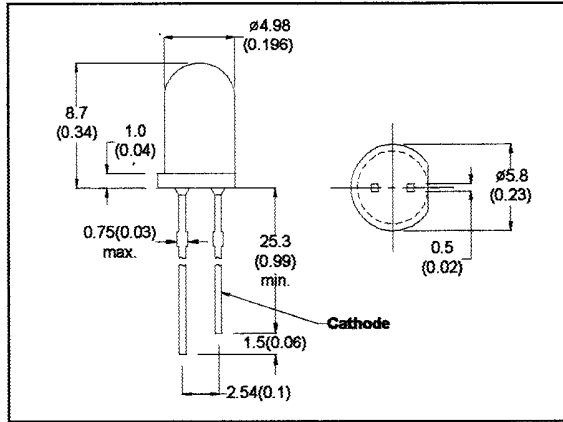


MICRO ELECTRONICS

**MSB51CA-X
(MSB51CA)
ULTRA HIGH
BRIGHTNESS
RED LED LAMP**

DESCRIPTION

MSB51CA-X is an ultra high brightness output red GaAlAs LED lamp encapsulated in a 5mm diameter, red transparent lens with narrow viewing angle. 6 brightness grouping is provided for customer's selection.



- All Dimension in mm (inch)
- No Scale
- Tol : +/- 0.3mm

ABSOLUTE MAXIMUM RATINGS

Power Dissipation @ Ta=25°C	100mW
Forward Current, DC (IF)	40mA
Reverse Voltage	5V
Operating & Storage Temperature Range	-55 to +100°C
Lead Soldering Temperature (1/16" from body)	260°C for 5 sec.

ELECTRO-OPTICAL CHARACTERISTICS (Ta=25°C)

PARAMETER	SYMBOL	MIN	TYP	MAX	UNIT	CONDITIONS
Forward Voltage	VF		1.8	2.4	V	IF=20mA
Reverse Breakdown Voltage	BVR	5			V	IR=100 μA
Luminous Intensity	IV				mcd	IF=20mA
		200	400			
	MSB51CA & -1	300	600		mcd	IF=20mA
	-2	600	900		mcd	IF=20mA
	-3	900	1500		mcd	IF=20mA
	-4	1200	1800		mcd	IF=20mA
	-5	1800	3500		mcd	IF=20mA
Peak Wavelength	λp		660		nm	IF=20mA
Spectral Line Half Width	Δλ		20		nm	IF=20mA

Rev.A.

MICRO ELECTRONICS LTD.

38, Hung To Road, Microtron Building, Kwun Tong, Kowloon, Hong Kong.

Kwun Tong P.O. Box 69477 Hong Kong. Fax No. 2341 0321 Telex:43510 Micro Hx. Tel: 2343 0181-5

Sep-99