

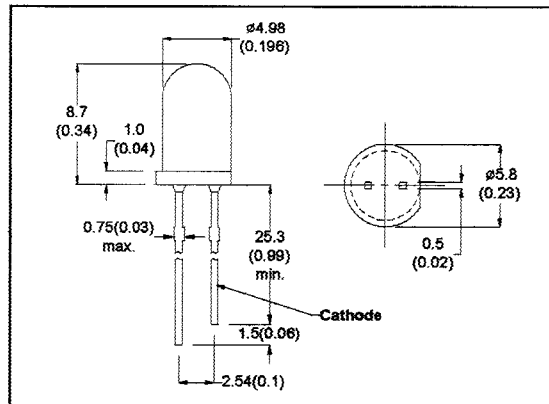
# MICRO

(MSB51DA)

ULTRA HIGH  
BRIGHTNESS  
RED LED LAMP

## DESCRIPTION

MSB51DA-X is an ultra high brightness output red GaAlAs LED lamp encapsulated in a 5mm diameter red diffused lens with an optimum viewing angle. 6 brightness grouping is provided for customer's selection.



- All Dimension in mm (inch)
- No Scale
- Tol : +/- 0.3mm

## ABSOLUTE MAXIMUM RATINGS

Power Dissipation @ Ta=25°C	100mW
Forward Current, DC (IF)	40mA
Reverse Voltage	5V
Operating & Storage Temperature Range	-55 to +100°C
Lead Soldering Temperature (1/16" from body)	260°C for 5 sec.

## ELECTRO-OPTICAL CHARACTERISTICS (Ta=25°C)

PARAMETER	SYMBOL	MIN	TYP	MAX	UNIT	CONDITIONS
Forward Voltage	VF		1.8	2.4	V	IF=20mA
Reverse Breakdown Voltage	BVR	5			V	IR=100µA
Luminous Intensity	IV				mcd	IF=20mA
		20	35			
MSB51DA & -0		30	60		mcd	IF=20mA
-1		80	120		mcd	IF=20mA
-2		130	200		mcd	IF=20mA
-3		180	250		mcd	IF=20mA
-4		250	350		mcd	IF=20mA
-5						
Peak Wavelength	$\lambda_p$		660		nm	IF=20mA
Spectral Line Half Width	$\Delta\lambda$		20		nm	IF=20mA
Viewing Angle	2θ 1/2		40		degree	IF=20mA

MICRO ELECTRONICS LTD.

38, Hung To Road, Microtron Building, Kwun Tong, Kowloon, Hong Kong.

Kwun Tong P.O. Box 69477 Hong Kong. Fax No. 2341 0321 Telex:43510 Micro Hx. Tel: 2343 0181-5

Rev.A.

Page 1 of 2

Oct-99

MSB51DA-1,-2,-3,-4&-5

