

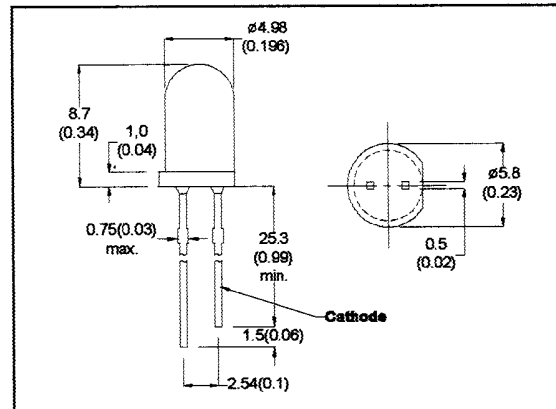
MICRO ELECTRONICS

MSB51DA-B

ULTRA HIGH
BRIGHTNESS
RED LED LAMP

DESCRIPTION

MSB51DA-B is an ultra high brightness output red AlGaInP LED lamp encapsulated in a 5mm diameter red diffused lens. 3 brightness grouping is provided for customer's selection.



- All Dimension in mm (inch)
- No Scale
- Tol : +/- 0.3mm

ABSOLUTE MAXIMUM RATINGS

Power Dissipation @Ta=25°C	100mW
Forward Current, DC (IF)	40mA
Reverse Voltage	5V
Operating & Storage Temperature	-55 to +100°C
Lead Soldering Temperature (1/16" from body)	260°C for 5 sec.

ELECTRO-OPTICAL CHARACTERISTICS (Ta=25°C)

PARAMETER	SYMBOL	MIN	TYP	MAX	UNIT	CONDITIONS
Forward Voltage	VF			2.6	V	IF=20mA
Emission Peak Wave Length	BVR	5			V	IR=100μA
Luminous Intensity	IV				mcd	IF=20mA
	-3B	65	95		mcd	IF=20mA
	-4B	95	130		mcd	IF=20mA
	-5B	130	160		mcd	IF=20mA
Peak Wavelength	λp		645		nm	IF=20mA
Spectral Line Half Width	Δλ		22	25	nm	IF=20mA
Viewing Angle	2θ 1/2		40		degree	IF=20mA

MICRO ELECTRONICS LTD.

38, Hung To Road, Microtron Building, Kwun Tong, Kowloon, Hong Kong.

Kwun Tong P.O. Box 69477 Hong Kong. Fax No. 2341 0321 Telex:43510 Micro Hx. Tel: 2343 0181-5

Rev. A.

Oct-99