

MICRO

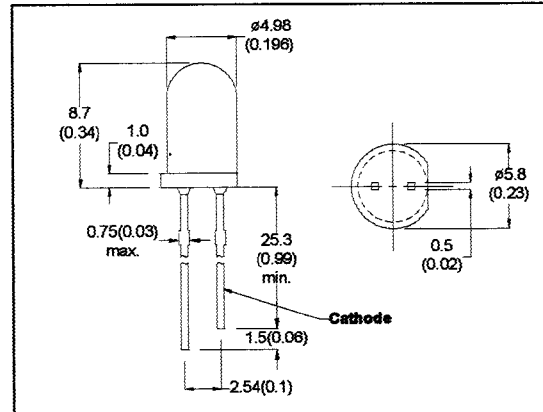
ELECTRONICS

(MSB51TA)

ULTRA HIGH
BRIGHTNESS
RED LED LAMP

DESCRIPTION

MSB51TA-X is an ultra high brightness output red GaAlAs LED lamp encapsulated in a 5mm diameter clear transparent lens with an optimum viewing angle. 6 brightness grouping is provided for customer's selection.



- All Dimension in mm (inch)
- No Scale
- Tol : +/- 0.3mm

ABSOLUTE MAXIMUM RATINGS

Power Dissipation @ Ta=25°C	100mW
Forward Current, DC (IF)	40mA
Reverse Voltage	5V
Operating & Storage Temperature Range	-55 to +100°C
Lead Soldering Temperature (1/16" from body)	260°C for 5 sec.

ELECTRO-OPTICAL CHARACTERISTIC (Ta=25°C)

PARAMETER	SYMBOL	MIN	TYP	MAX	UNIT	CONDITIONS
Forward Voltage	VF		1.8	2.4	V	IF=20mA
Reverse Breakdown Voltage	BVR	5			V	IR=100µA
Luminous Intensity	IV				mcd	IF=20mA
		200	400		mcd	IF=20mA
MSB51TA &		300	600		mcd	IF=20mA
		600	900		mcd	IF=20mA
		900	1500		mcd	IF=20mA
		1200	1800		mcd	IF=20mA
		1800	3500		mcd	IF=20mA
Peak Wavelength	λp		660		nm	IF=20mA
Spectral Line Half Width	Δλ		20		nm	IF=20mA
Viewing Angle	2θ 1/2		20		degree	IF=20mA

Rev.A.

MICRO ELECTRONICS LTD.

38, Hung To Road, Microtron Building, Kwun Tong, Kowloon, Hong Kong.

Kwun Tong P.O. Box 69477 Hong Kong. Fax No. 2341 0321 Telex:43510 Micro Hx. Tel: 2343 0181-5

Oct-99