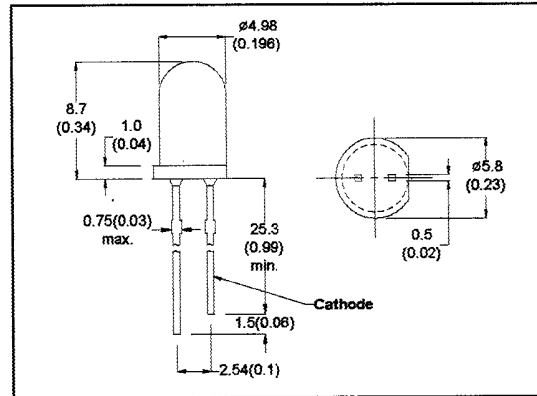


MICRO ELECTRONICS

ULTRA HIGH BRIGHTNESS RED LED LAMP

DESCRIPTION

MSB51TB-X is an ultra high brightness output red GaAlAs LED lamp encapsulated in a 5mm diameter clear transparent lens. 6 brightness grouping is provided for customer's selection.



- All Dimension in mm (inch)
- No Scale
- Tol: +/- 0.3mm

ABSOLUTE MAXIMUM RATINGS

Power Dissipation @Ta=25°C	100mW
Forward Current, DC (IF)	40mA
Reverse Voltage	5V
Operating & Storage Temperature	-55 to +100°C
Lead Soldering Temperature (1/16" from body)	260°C for 5 sec.

ELECTRO-OPTICAL CHARACTERISTICS (Ta=25°C)

PARAMETER	SYMBOL	MIN	TYP	MAX	UNIT	CONDITIONS
Forward Voltage	VF		1.8	2.4	V	IF=20mA
Emission Peak Wave Length	BVR	5			V	IR=100μA
Luminous Intensity	IV				mcd	IF=20mA
	-0	80	150			IF=20mA
	-1	150	300			IF=20mA
	-2	300	500			IF=20mA
	-3	500	750		mcd	IF=20mA
	-4	750	1100		mcd	IF=20mA
	-5	1100	1400		mcd	IF=20mA
Peak Wavelength	λp		660		nm	IF=20mA
Spectral Line Half Width	Δλ		20		nm	IF=20mA
Viewing Angle	2θ 1/2		30		degree	IF=20mA

Rev.A.

MICRO ELECTRONICS LTD.

38, Hung To Road, Microtron Building, Kwun Tong, Kowloon, Hong Kong.

Kwun Tong P.O. Box 69477 Hong Kong. Fax No. 2341 0321 Telex:43510 Micro Hx. Tel: 2343 0181-5

Oct-99