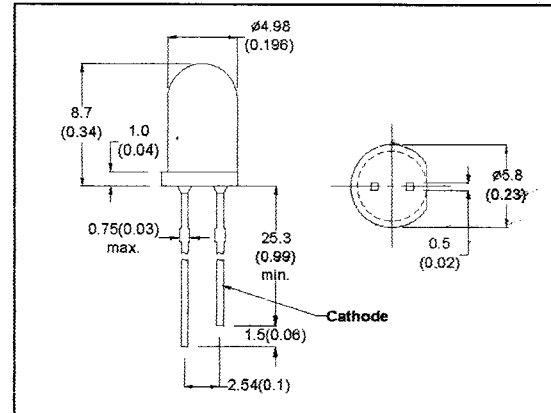


MICRO ELECTRONICS

MSB51WA-X
(MSB51WA)
ULTRA HIGH
BRIGHTNESS
RED LED LAMP

DESCRIPTION

MSB51WA-X is an ultra high brightness output red GaAlAs LED lamp encapsulated in a 5mm diameter white diffused lens with an optimum viewing angle. 6 brightness grouping is provided for customer's selection.



- All Dimension in mm (inch)
- No Scale
- Tol : +/- 0.3mm

ABSOLUTE MAXIMUM RATINGS

Power Dissipation @ Ta=25°C	100mW
Forward Current, DC (IF)	40mA
Reverse Voltage	5V
Operating & Storage Temperature Range	-55 to +100°C
Lead Soldering Temperature (1/16" from body)	260°C for 5 sec.

ELECTRO-OPTICAL CHARACTERISTICS (Ta=25°C)

PARAMETER	SYMBOL	MIN	TYP	MAX	UNIT	CONDITIONS
Forward Voltage	VF		1.8	2.4	V	IF=20mA
Reverse Breakdown Voltage	BVR	5			V	IR=100μA
Luminous Intensity	IV				mcd	IF=20mA
	-0	20	35			
MSB51WA &	-1	30	60		mcd	IF=20mA
	-2	80	120		mcd	IF=20mA
	-3	130	200		mcd	IF=20mA
	-4	180	250		mcd	IF=20mA
	-5	250	350		mcd	IF=20mA
Peak Wavelength	λp		660		nm	IF=20mA
Spectral Line Half Width	Δλ		20		nm	IF=20mA

MICRO ELECTRONICS LTD.

38, Hung To Road, Microtron Building, Kwun Tong, Kowloon, Hong Kong.

Kwun Tong P.O. Box 69477 Hong Kong. Fax No. 2341 0321 Telex:43510 Micro Hx. Tel: 2343 0181-5

Rev.A.

Page 1 of 1

Nov-99