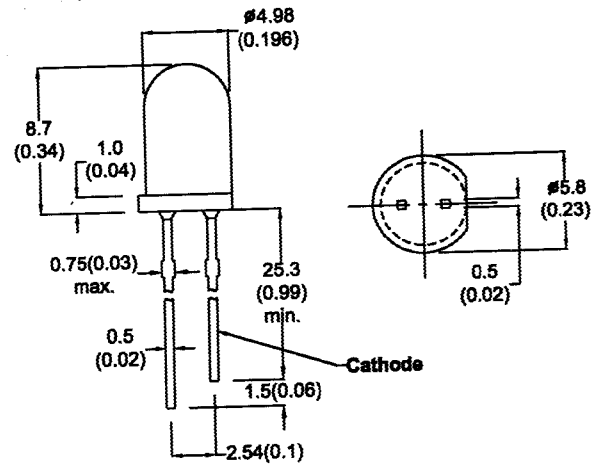


DESCRIPTION

MSB557TA-4 is GaAlAs red LED lamp with a 5mm clear transparent lens. The built-in IC flashes the lamp on/off and can be driven directly by standard TTL and CMOS circuits, eliminating the need for external switching circuitry.



- All dimension in mm(inch)
- No Scale
- Tol. : +/-0.3mm

ABSOLUTE MAXIMUM RATINGS

Operating Temperature Range
 Storage Temperature Range
 Lead Soldering Temperature (1/16" from body)
 Operating Voltage

0 to +70°C
 -20 to +85°C
 260°C for 5 sec.
 5V

ELECTRO-OPTICAL CHARACTERISTICS (Ta=25°C)

PARAMETER	SYMBOL	MIN	TYP	MAX	UNIT	CONDITIONS
Luminous Intensity	IV	1800	3000		mcd	VF=3V
Emission Peak Wave Length	λ_p		660		nm	IF=20mA
Spectral Line Half Width	$\Delta\lambda$		20		nm	IF=20mA
Operating Voltage	Vopr	1.6	3.0	3.5	V	
Peak Current (1/8 duty cycle)	ICM		28		mA	VF=3V
Pulse Rate		0.6	1.0	1.8	Hz	VF=3V



MICRO ELECTRONICS LTD.

38, Hung To Road, Microtron Building, Kwun Tong, Kowloon, Hong Kong.

Kwun Tong P.O. Box 69477 Hong Kong. Fax No. 2341 0321 Telex:43510 Micro Hx. Tel: 2343 0181-5