

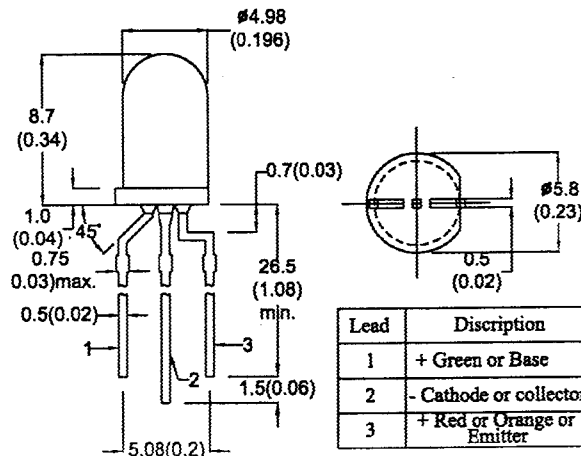
MICRO

ELECTRON

HIGH EFFICIENCY
RED/GREEN
BI-COLOR LAMP

DESCRIPTION

A high efficiency red and green bi-color lamp made of GaAsP, GaP LED chip offering a changing color characteristics. These two light emitting diodes are mounted in 5mm diameter transparent lens.



- All dimension in mm(inch)
- No Scale
- Tol. : +/-0.3mm

ABSOLUTE MAXIMUM RATINGS

Power Dissipation @ Ta=25°C

Forward Current, DC (IF)

Reverse Voltage

Operating & Storage Temperature Range

Lead Soldering Temperature (1/16" from body)

High efficiency Red

Green

100mW

100mW

30mA

30mA

5V

5V

-55 to +100°C

260°C for 5 sec.

ELECTRO-OPTICAL CHARACTERISTICS (Ta=25°C)

PARAMETER	MAX	MIN	SYMBOL	RED	GREEN	UNIT	CONDITIONS
Forward Voltage	MAX		VF	3.0	3.0	V	IF=20mA
Reverse Breakdown Voltage		MIN	BVR	5	5	V	IR=100μA
Luminous Intensity	MIN		IV	50	70	mcd	IF=20mA
	TYP			100	120	mcd	IF=20mA
Peak Wavelength		TYP	λp	650	570	nm	IF=20mA
Spectral Line Half Width		TYP	Δλ	30	30	nm	IF=20mA

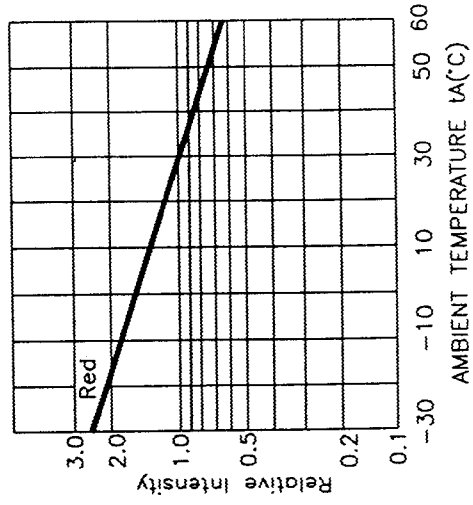
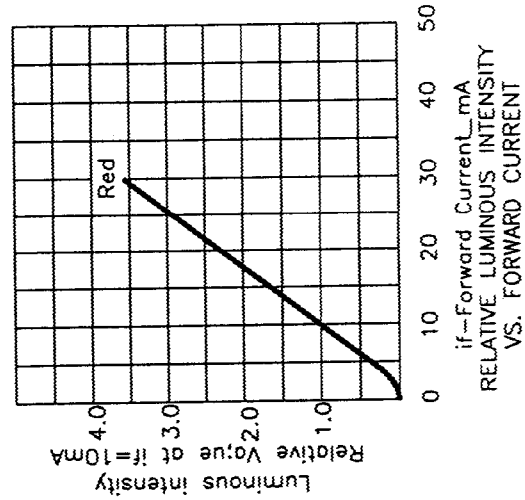
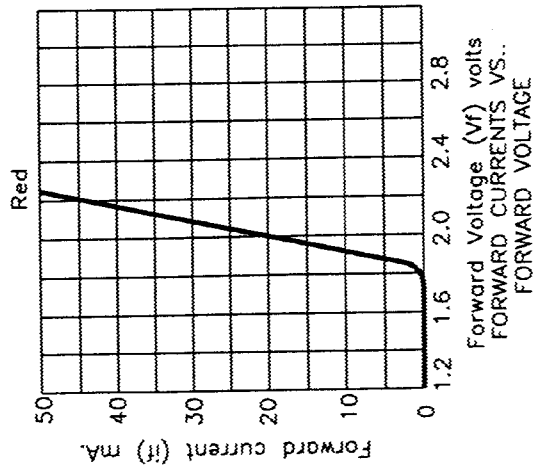
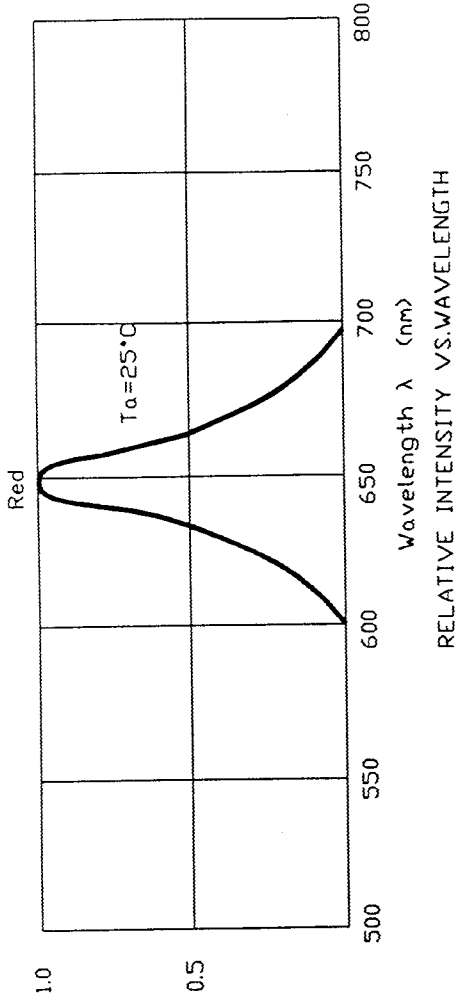
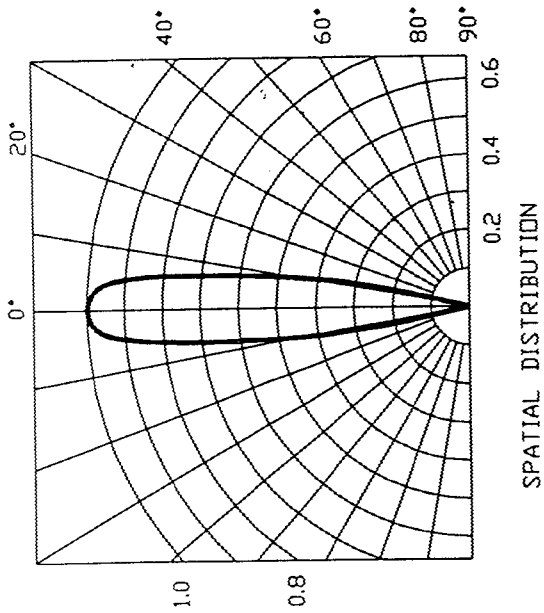


MICRO ELECTRONICS LTD.

38, Hung To Road, Microtron Building, Kwun Tong, Kowloon, Hong Kong.

Kwun Tong P.O. Box 69477 Hong Kong. Fax No. 2341 0321 Telex:43510 Micro Hx. Tel: 2343 0181-5

MSGB51T(RED)



MSGB51T(GREEN)

