

#### DESCRIPTION

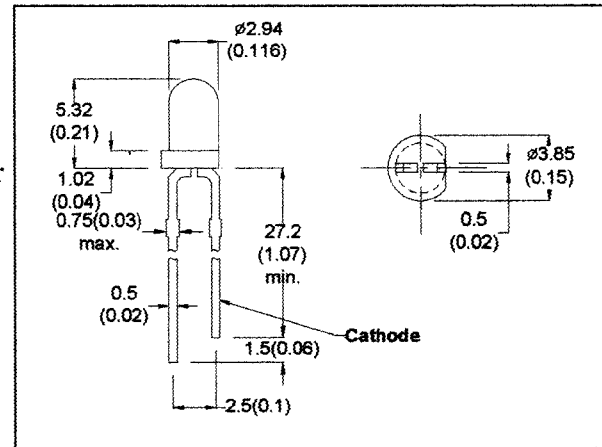
MYB32 Series are yellow LED lamp with 3mm diameter epoxy package.

MYB32C is yellow chip with yellow transparent lens.

MYB32D is yellow chip with yellow diffused lens.

MYB32TA is yellow chip with clear transparent lens.

MYB32W is yellow chip with clear diffused lens.



- All Dimension in mm (inch)
- No Scale
- Tol: +/- 0.3mm

#### ABSOLUTE MAXIMUM RATINGS

Power Dissipation @Ta=25°C	60mW
Forward Current, DC (IF)	20mA
Reverse Voltage	5V
Operating & Storage Temperature Range	-55 to +100°C
Lead Soldering Temperature (1/16" from body)	260°C for 5 sec.

#### ELECTRO-OPTICAL CHA (Ta=25°C)

PARAMETER	SYMBOL	MYB32C	MYB32D	MYB32TA	MYB32W	UNIT	CONDITIONS
Forward Voltage	MAX VF	3.0	3.0	3.0	3.0	V	IF=20mA
Reverse Breakdown Voltage	MIN BVR	5	5	5	5	V	IR=100 μA
Luminous Intensity	MIN IV	40	13	40	13	mcd	IF=20mA
	TYP	80	18	80	18	mcd	
Peak Wavelength	TYP λp	585	585	585	585	nm	IF=20mA
Spectral Line Half Width	TYP Δλ	35	35	35	35	nm	IF=20mA
Viewing Angle	TYP 2θ 1/2	30	50	30	50	degree	IF=20mA

MICRO ELECTRONICS LTD.

38, Hung To Road, Microtron Building, Kwun Tong, Kowloon, Hong Kong.

Kwun Tong P.O. Box 69477 Hong Kong. Fax No. 2341 0321 Telex:43510 Micro Hx. Tel: 2343 0181-5

521.5

Aug-99