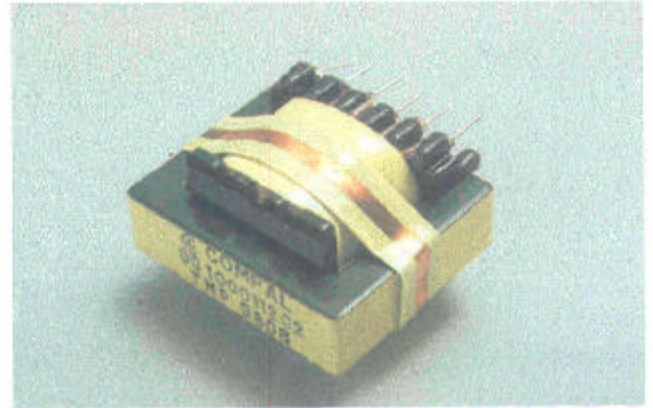


SWITCHING POWER TRANSFORMER

MODEL NO. : MPT 4012/MPT 4215/MPT 4220

FEATURES:

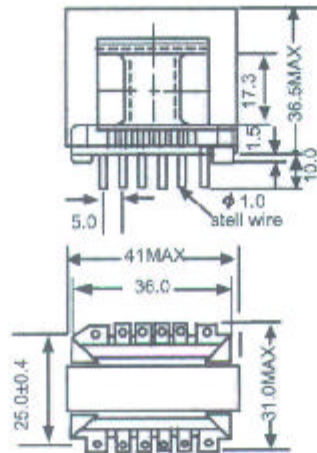
- * DESIGNED TO MEET UL., VDE, CSA, IEC. REQUIREMENTS.
- * COST EFFECTIVE DESIGN
- * STANDARDIZED PACKAGING
- * HIGH QUALITY STANDARD
- * CUSTOMER' S MODIFICATION OF CATALOG PARTS AVAILABEL ON REQUEST
- * EE-55 IS AVAILABLE FOR SPECIAL DESIGN



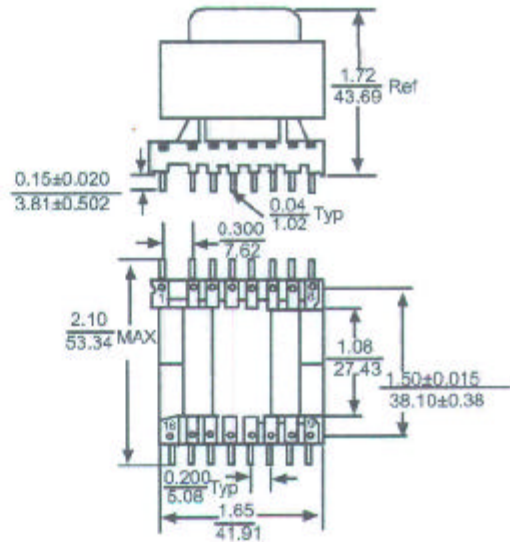
TAIPEI MULTIPOWER OFFERS EI40, EE4215, EE4220 ETC FERRITE E CORE SWITCHING TRANSFORMER FOR SWITCHING POWER SUPPLIES APPLICATIONS AT 20 KHZ OR HIGHER.

	MPT 4012	MPT 4215	MPT 4220
POWER CAPACITY	-	235W	300W
Ae cm ²	1.48	1.82	2.30
Le cm	7.70	9.70	9.70
Aw cm	1.60	2.87	2.87

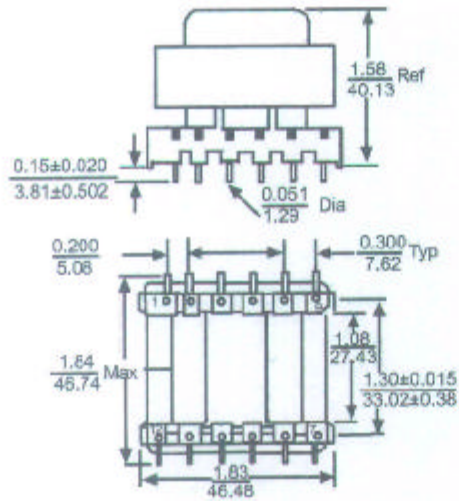
MPT4012



MPT4220



MPT4215-1



MPT4215-2

