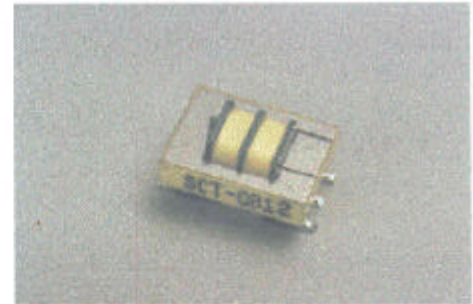


SMD MODEM TRANSFORMER

MODEL NO : SCT-0811 / SCT-0812

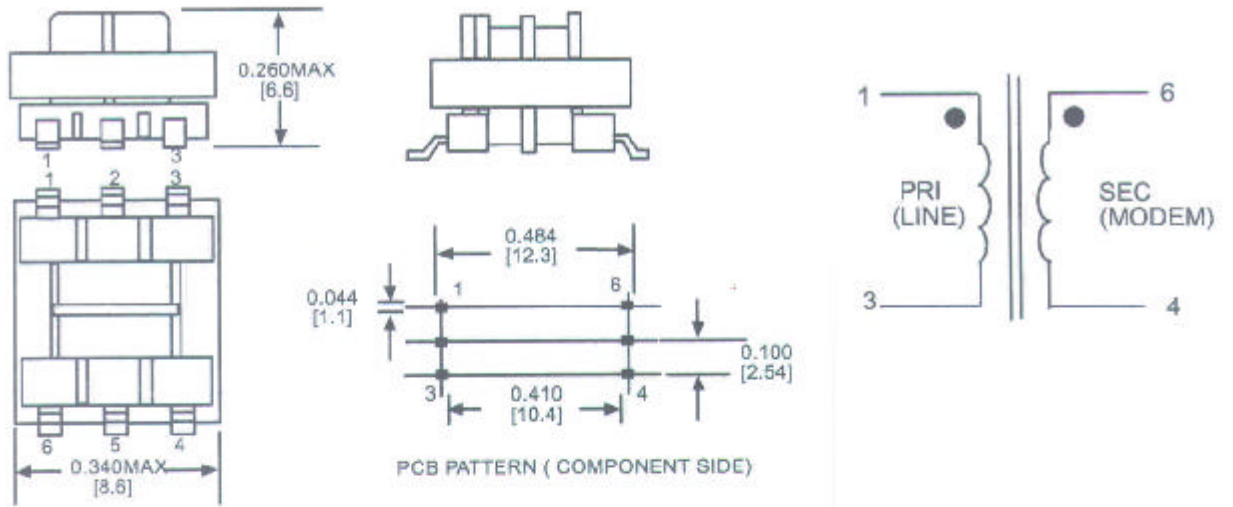
SAFETY:
E182364 



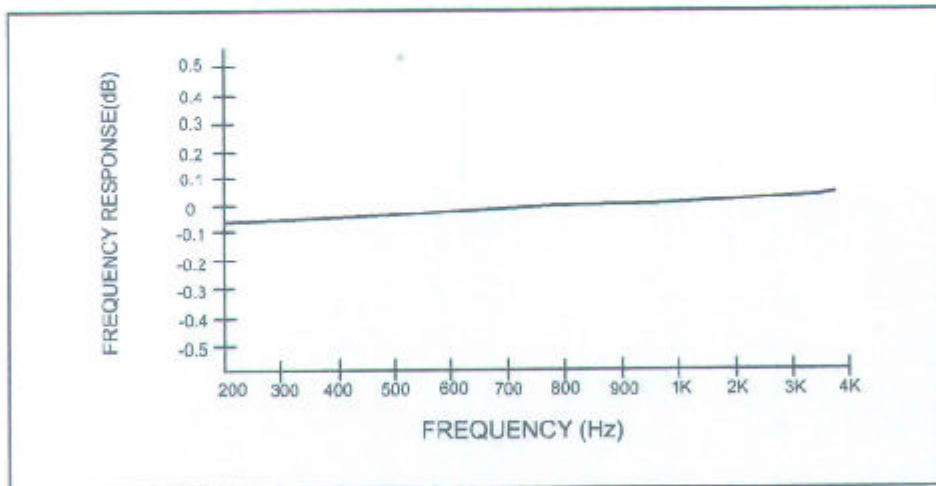
ELECTRICAL SPECIFICATION:

MODEL NO	SCT-0811	SCT-0812
SUITABLE FOR MODEM SPEEDS UP TO:	V.34	V.34 bis (33.6kbps)
IMPEDANCE RATIO (PRI : SEC)	600Ω:330Ω	600Ω:301Ω
DC RESISTANCE (±10%)	PRI: 165Ω SEC: 165Ω	PRI: 174Ω SEC: 174Ω
TURN RATIO	1:1	1:1
INSERTION LOSS @1KHZ, 0dBm	2.8dB±0.25dB	3.0dB±0.25dB
RETURN LOSS @200HZ @ 4KHZ	25dB MIN 16dB MIN	26dB MIN 15dB MIN
LONGITUDINAL BALANCE @ 200HZ @ 4KHZ	60dB MIN 60dB MIN	60dB MIN 60dB MIN
DC UNBALANCE CURRENT	0mA	0mA
TOTAL HARMONIC DISTORTION (THD) @ 600HZ, -10dBm	-80dB MAX	-84dB MAX
FREQUENCY RESPONSE @ 200HZ~4KHZ, REF TO 1KHZ	±0.15dB	±0.15dB
HI-POT (VAC FOR 1 MINUTE) PRI : SEC	1250 VAC	1250 VAC

PHYSICAL DIMENSION: UNIT : inch / [mm]



FREQUENCY RESPONSE CURVE:



RETURN LOSS VS FREQUENCY CURVE:

