

# SMD POWER INDUCTORS

MODEL NO. : SPC-1002 SERIES

**FEATURES:**

- \* SUPERIOR QUALITY FOR AN AUTOMATED PRODUCTION LINE.
- \* PICK AND PLACE COMPATIBLE.
- \* TAPE AND REEL PACKING.



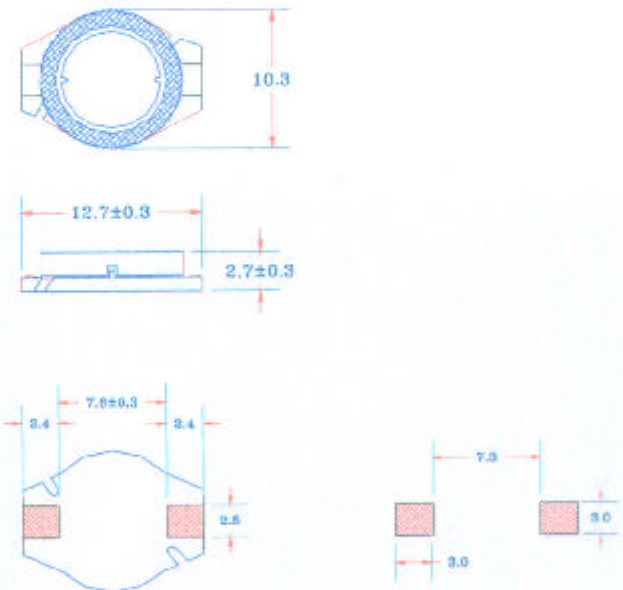
**APPLICATION :**

- \* NOTEBOOK COMPUTERS.
- \* DC-DC CONVERTORS.
- \* DC-AC INVERTERS.

**ELECTRICAL SPECIFICATION:**

PART NO.	INDUCTANCE ( $\mu$ H) $\pm$ 20%	D.C.R. MAX ( $\Omega$ )	I <sub>sat</sub> (ADC)	I <sub>rms</sub> (Arms)
SPC-1002-2R2	2.2	0.045	3.40	2.76
SPC-1002-4R7	4.7	0.078	2.30	1.90
SPC-1002-7R5	7.5	0.100	1.70	1.44
SPC-1002-100	10	0.145	1.50	1.24
SPC-1002-150	15	0.200	1.20	1.02
SPC-1002-220	22	0.300	1.00	0.80
SPC-1002-330	33	0.450	0.85	0.70
SPC-1002-470	47	0.650	0.72	0.60
SPC-1002-680	68	0.800	0.58	0.48
SPC-1002-101	100	1.400	0.48	0.40
SPC-1002-151	150	1.800	0.40	0.32
SPC-1002-221	220	2.200	0.32	0.26

**PHYSICAL DIMENSION : (UNIT:mm)**



**TOLERANCE :  $\pm$  0.20**

**PCB PATTERN**

NOTE (1): TEST FREQUENCY: 1 kHz, 1 VRMS.

NOTE (2): THIS INDICATES THE VALUE OF DC CURRENT WHICH THE INDUCTANCE IS 10% LOWER THAN ITS INITIAL VALUE AND/OR  $\Delta T=40^{\circ}C$  UNDER THIS DC CURRENT BIAS.