

SMD POWER INDUCTORS

MODEL NO. : SPC-1204P SERIES (CDRH124 COMPATIBLE)

FEATURES:

- * SUPERIOR QUALITY FROM AN AUTOMATED PRODUCTION LINE.
- * PICK AND PLACE COMPATIBLE.
- * TAPE AND REEL PACKING.



APPLICATION :

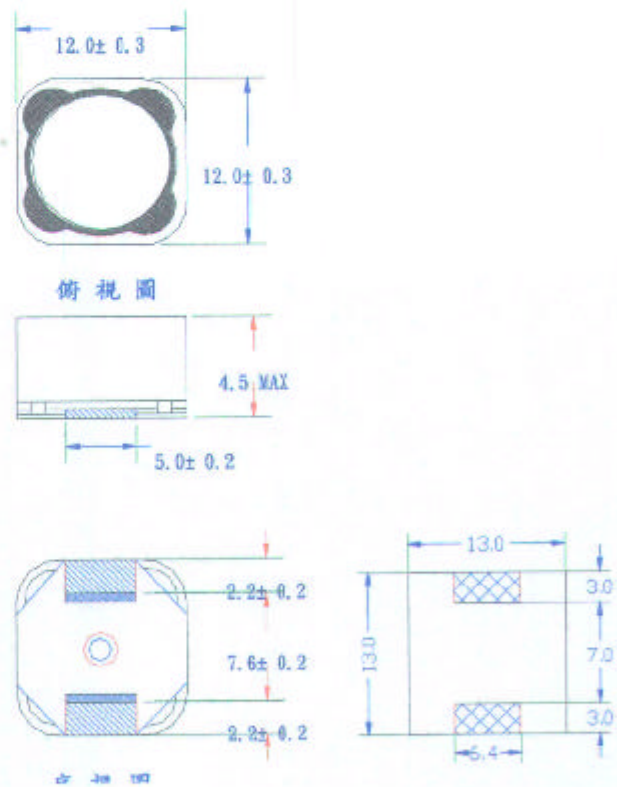
- * NOTEBOOK COMPUTERS.
- * DC-DC CONVERTORS.
- * DC-AC INVERTER.

ELECTRICAL SPECIFICATION:

(UNIT:mm)

PART NO.	INDUCTANCE ($\mu\text{H} \pm 20\%$)	D.C.R. MAX ($\text{m}\Omega$)	RATED CURRENT (ADC)
SPC-1204P-3R9	3.9	15	6.50
SPC-1204P-4R7	4.7	18	5.70
SPC-1204P-6R8	6.8	23	4.90
SPC-1204P-8R2	8.2	26	4.60
SPC-1204P-100	10	34	4.50
SPC-1204P-120	12	38	4.00
SPC-1204P-150	15	52	3.20
SPC-1204P-180	18	57	3.10
SPC-1204P-220	22	66	2.90
SPC-1204P-270	27	80	2.80
SPC-1204P-330	33	97	2.70
SPC-1204P-390	39	132	2.10
SPC-1204P-470	47	150	1.90
SPC-1204P-560	56	190	1.80
SPC-1204P-680	68	220	1.50
SPC-1204P-820	82	260	1.30
SPC-1204P-101	100	308	1.20
SPC-1204P-121	120	330	1.10
SPC-1204P-151	150	530	0.95
SPC-1204P-181	180	620	0.85
SPC-1204P-221	220	700	0.80
SPC-1204P-271	270	870	0.60
SPC-1204P-331	330	990	0.50

PHYSICAL DIMENSION :



TOLERANCE : ± 0.3

NOTE(1): TEST FREQUENCY: 1 kHz, 1 VRMS.

NOTE(2): AT VALUE OF INDUCTANCE WHEN IS 10% DOWN FROM FIRST VALUE AS CHARACTERISTICS OF D.C. CURRENT WHEN TEMPERATURE OF COIL INCREASED UP TO 40°C. ($T_a=20^\circ\text{C}$)