



# MIC2981/2982

## High-Voltage High-Current Source Driver Array

### Preliminary Information

#### General

The MIC2981/82 is an 8-channel, high-voltage, high-current source driver array ideal for switching high-power loads from logic-level TTL, CMOS, or PMOS control signals.

These drivers can manage multiple loads of up to 50V and 500mA, limited only by package power dissipation.

Micrel's MIC2981/82 features inputs compatible with 5V TTL and 5V to 15V CMOS or PMOS logic outputs. Micrel's dual-marked device replaces either UDN2981 or UDN2982 devices.

The MIC2981/82 is available in the 18-pin plastic DIP and 18-lead wide SOP package. Both devices operate in the industrial temperature range.

#### Features

- Output voltage to 50V
- Output current to 500mA
- Transient-protected outputs
- Integral clamp diodes
- TTL, CMOS, or PMOS compatible inputs

#### Applications

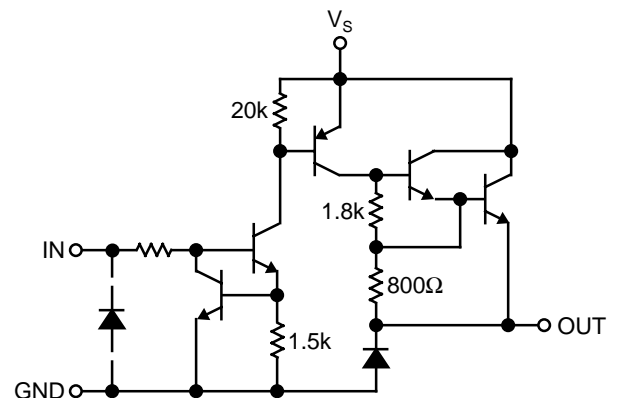
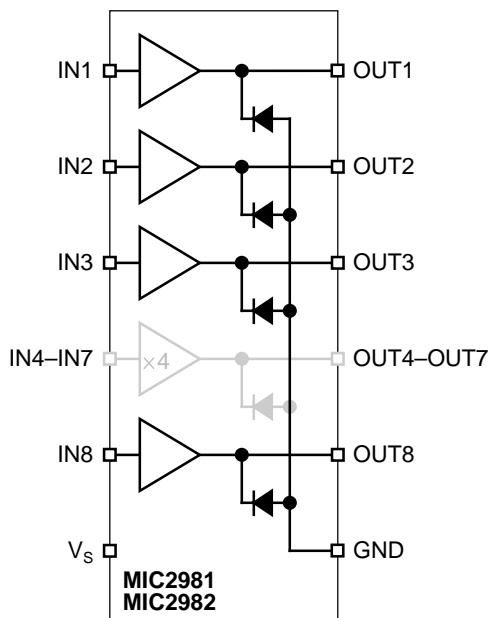
- Relay and solenoid switching
- Stepping motor
- LED and incandescent displays

#### Ordering Information

Part Number	Temperature Range	Package
MIC2981BN/ MIC2982BN*	-40°C to +85°C	18-pin DIP
MIC2981BWM/ MIC2982BWM*	-40°C to +85°C	18-pin wide SOP

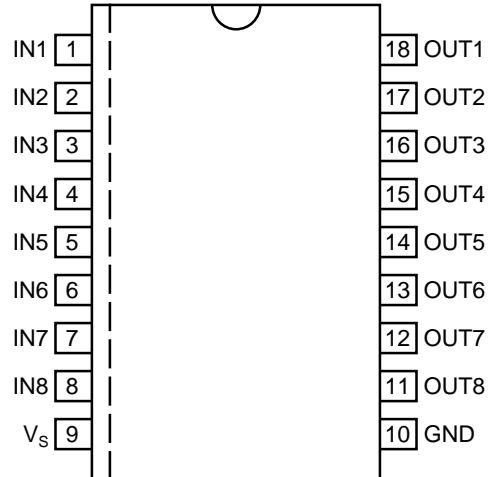
\* Orders for MIC2981BN or MIC2982BN will be filled with dual-marked MIC2981/82BN. Orders for MIC2981BWM or MIC2982BWM will be filled with dual-marked MIC2981/82BWM.

#### Functional Diagrams



Typical MIC2981/2982 Source Driver

## Pin Configuration



**18-Pin DIP (N)**  
**18-Pin Wide SOP (WM)**

## Pin Description

Pin No.	Pin No.	Pin Name	Pin Function
1–8	IN1–IN8	Input 1 through Input 8:	Base drive to driver input transistor.
9	$V_S$	Supply Input	
10	GND	Ground	
11–18	OUT8–OUT1	Output 8 through Output 1:	Emitter of Darlington driver output.

**Absolute Maximum Ratings**

Supply Voltage ( $V_S$ )	50V
Output Voltage ( $V_{CE}$ )	50V
Continuous Output Current ( $I_C$ )	500mA
Input Voltage ( $V_{IN}$ )	
MIC2981/82	30V
Ground Current ( $I_{GND}$ )	3A
Junction Temperature ( $T_J$ )	+150°C
Storage Temperature ( $T_S$ )	-65°C to +150°C

**Operating Ratings**

Supply Voltage ( $V_S$ )	5V to 50V
Ambient Temperature ( $T_A$ )	-40°C to +85°C
Package Thermal Resistance	
PDIP $\theta_{JA}$	56°C/W
SOP $\theta_{JA}$	84°C/W

**Electrical Characteristics**

$V_S = 50V$ ,  $T_A = +25^\circ C$ , unless noted.

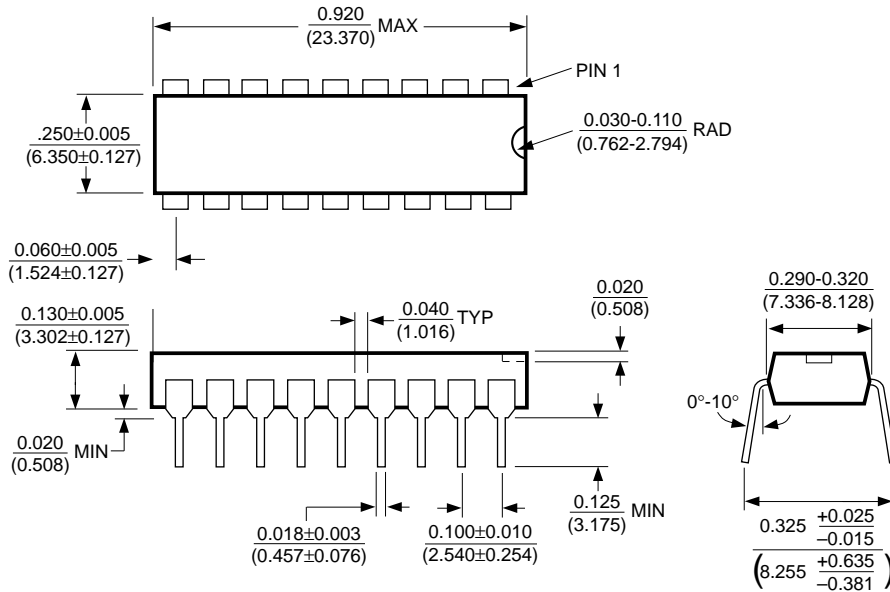
Symbol	Parameter	Condition	Min	Typ	Max	Units
$I_{CEX}$	Output Leakage Current	$V_{IN} = 0.4V$ , $T_A = +70^\circ C$ , <b>Note 1</b>			200	$\mu A$
$V_{CE(sus)}$	Output Sustaining Voltage	$I_{OUT} = 45mA$	35			V
$V_{CE(sat)}$	Collector-Emitter Saturation Voltage	$V_{IN} = 2.4V$ , $I_{OUT} = 100mA$ $V_{IN} = 2.4V$ , $I_{OUT} = 225mA$ $V_{IN} = 2.4V$ , $I_{OUT} = 350mA$		1.7 1.8 1.9	2.0 2.1 2.2	V V V
$I_{IN(on)}$	Input Current	MIC2981 $V_{IN} = 2.4V$ $V_{IN} = 3.85$  MIC2982 $V_{IN} = 2.4V$ $V_{IN} = 12V$		140 310  140 1.25	200 450  200 1.93	$\mu A$ $\mu A$  $\mu A$ mA
$I_{OUT}$	Output Source Current	$V_{IN} = 2.4V$ , $V_{CE} = 2.2V$	350			mA
$I_S$	Supply Current	$V_{IN} = 2.4$ , OUT1-8 = open, <b>Note 1</b>			10	mA
$t_{ON}$	Turn-On Delay	$0.5E_{IN}$ to $0.5E_{OUT}$ , $R_L = 100\Omega$ , $V_S = 35V$ ,		1.0	2.0	$\mu s$
$t_{OFF}$	Turn-Off Delay	$0.5E_{IN}$ to $0.5E_{OUT}$ , $R_L = 100\Omega$ , $V_S = 35V$ , <b>Note 2</b>		5.0	10	$\mu s$
$I_R$	Clamp Diode Leakage Current	$V_R = 50V$ , $V_{IN} = 0.4V$ , <b>Note 1</b>			50	$\mu A$
$V_F$	Clamp Diode Forward Voltage	$I_F = 350mA$		1.5	2.0	V

**General Note:** Devices are ESD protected; however, handling precautions are recommended.

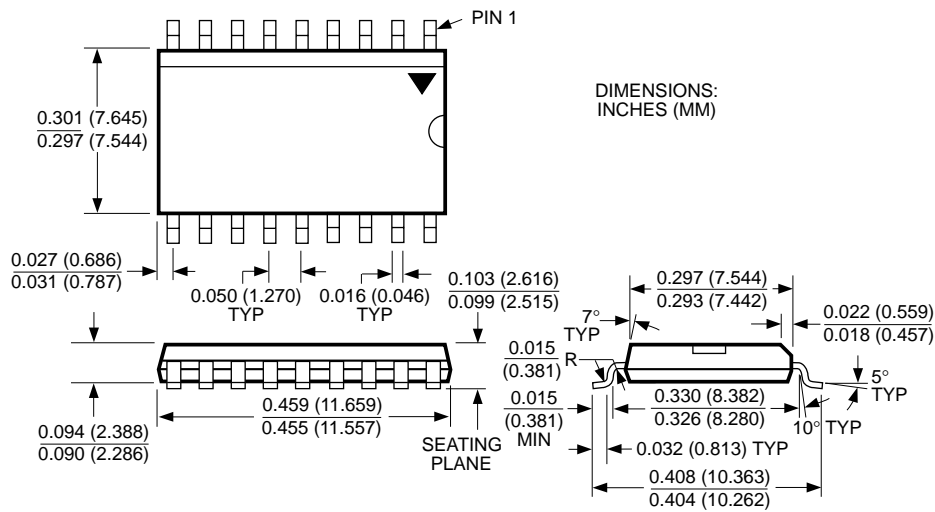
**Note 1:** Applied to all 8 inputs simultaneously.

**Note 2:** Load conditions affect turnoff delay.

Package Information



18-Pin Plastic DIP (N)



18-Pin Wide SOP (WM)

MICREL INC. 1849 FORTUNE DRIVE SAN JOSE, CA 95131 USA

TEL + 1 (408) 944-0800 FAX + 1 (408) 944-0970 WEB <http://www.micrel.com>

This information is believed to be accurate and reliable, however no responsibility is assumed by Micrel for its use nor for any infringement of patents or other rights of third parties resulting from its use. No license is granted by implication or otherwise under any patent or patent right of Micrel Inc.

© 1999 Micrel Incorporated