

## FEATURES

- 1000MHz min. operating frequency
- Extended 100E VEE range of -4.2V to -5.5V
- 800ps max. clock to output
- Single-ended outputs
- Asynchronous Master Reset
- Dual clocks
- Fully compatible with industry standard 10KH, 100K ECL levels
- Internal 75KΩ input pulldown resistors
- ESD protection of 2000V
- Fully compatible with Motorola MC10E/100E167
- Available in 28-pin PLCC package

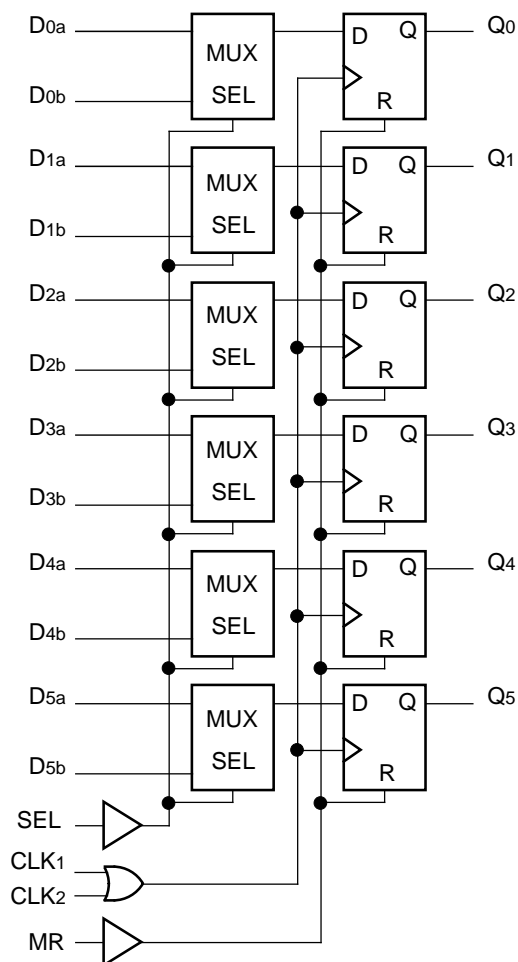
## DESCRIPTION

The SY10/100E167 offer six 2:1 multiplexers followed by D flip-flops with single-ended outputs, designed for use in new, high-performance ECL systems. The Select (SEL) control allows one of the two data inputs to the multiplexer to pass through. The two external clock signals (CLK1, CLK2) are gated through a logical OR operation before use as control for the six flip-flops. The selected data are transferred to the flip-flops on the rising edge of CLK1 or CLK2 (or both).

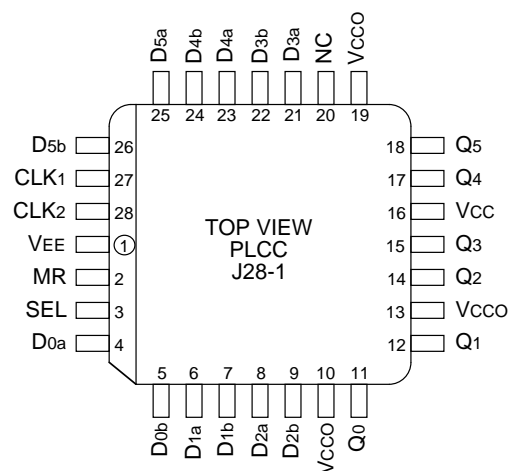
The multiplexer operation is controlled by the Select (SEL) signal which selects one of the two bits of input data at each mux to be passed through.

When a logic HIGH is applied to the Master Reset (MR) signal, it operates asynchronously to take all outputs Q to a logic LOW.

## BLOCK DIAGRAM



## PIN CONFIGURATION



## PIN NAMES

Pin	Function
D0a-D5a	Input Data a
D0b-D5b	Input Data b
SEL	Select Input
CLK1, CLK2	Clock Inputs
MR	Master Reset
Q0-Q5	Data Outputs
VCCO	Vcc to Output

**TRUTH TABLE**

SEL	Data
H	a
L	b

**DC ELECTRICAL CHARACTERISTICS**

VEE = VEE (Min.) to VEE (Max.); VCC = VCCO = GND

Symbol	Parameter	TA = 0°C			TA = +25°C			TA = +85°C			Unit	Condition
		Min.	Typ.	Max.	Min.	Typ.	Max.	Min.	Typ.	Max.		
I <sub>IH</sub>	Input HIGH Current	—	—	150	—	—	150	—	—	150	μA	—
I <sub>EE</sub>	Power Supply Current	—	—	—	—	—	—	—	—	—	mA	—
		10E	94	113	94	113	94	113				
		100E	94	113	94	113	108	130				

**AC ELECTRICAL CHARACTERISTICS**

VEE = VEE (Min.) to VEE (Max.); VCC = VCCO = GND

Symbol	Parameter	TA = 0°C			TA = +25°C			TA = +85°C			Unit	Condition
		Min.	Typ.	Max.	Min.	Typ.	Max.	Min.	Typ.	Max.		
f <sub>MAX</sub>	Max. Toggle Frequency	1000	1400	—	1000	1400	—	1000	1400	—	MHz	—
t <sub>PLH</sub> t <sub>PHL</sub>	Propagation Delay to Output CLK MR	450 450	650 650	800 850	450 450	650 650	800 850	450 450	650 650	800 850	ps	—
t <sub>S</sub>	Set-up Time D SEL	100 275	-50 125	— —	100 275	-50 125	— —	100 275	-50 125	— —	ps	—
		300 75	50 -125	— —	300 75	50 -125	— —	300 75	50 -125	— —	ps	—
t <sub>RR</sub>	Reset Recovery Time	750	550	—	750	550	—	750	550	—	ps	—
t <sub>PW</sub>	Minimum Pulse Width CLK, MR	400	—	—	400	—	—	400	—	—	ps	—
t <sub>skew</sub>	Within-Device Skew	—	75	—	—	75	—	—	75	—	ps	1
t <sub>r</sub> t <sub>f</sub>	Rise/Fall Time 20% to 80%	300	450	800	300	450	800	300	450	800	ps	—

**NOTE:**

1. Within-device skew is defined as identical transitions on similar paths through a device.

**PRODUCT ORDERING CODE**

Ordering Code	Package Type	Operating Range
SY10E167JC	J28-1	Commercial
SY10E167JCTR	J28-1	Commercial
SY100E167JC	J28-1	Commercial
SY100E167JCTR	J28-1	Commercial

**28 LEAD PLASTIC LEADED CHIP CARRIER (J28-1)**

FILE/REV #: PD0008A03

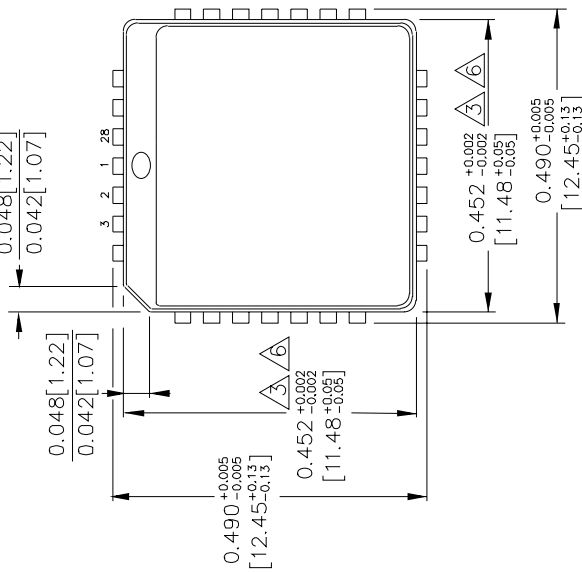
PD/0008/ASCORP

PAGE 1 OF 1

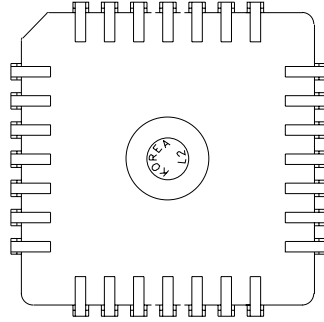
REV.	REVISION DESCRIPTION	DATE
01	CONVERT TO DESIGNER VERSION 4.0 FORMAT. ADD COVER PAGE TO SPEC. CHANGE BODY WIDTH DIMENSION FROM 0.450[1.1.43] TO 0.443[1.1.25]. TYPOGRAPHICAL ERROR.	08/18/94
02	CONVERT DWG FROM DESIGNER TO AUTOCAD REL. 12. REFERENCE AMKOR DWG. NO. 34855 REV. 00.	02/22/96
03	CONVERT DWG TO REL. 13 AND ONE PAGE DOCUMENT.	02/18/98

TOP VIEW

SIDE VIEW



BOTTOM VIEW



NOTES:

1. DIMENSIONS ARE IN INCHES[MM].
2. CONTROLLING DIMENSION: INCHES.
3. DIMENSION DOES NOT INCLUDE MOLD FLASH OR PROTRUSIONS, EITHER OF WHICH SHALL NOT EXCEED 0.008[0.203].
4. LEAD DIMENSION DOES NOT INCLUDE DAMBAR PROTRUSION.
5. MAXIMUM AND MINIMUM SPECIFICATIONS ARE INDICATED AS FOLLOWS: MAX/MIN
6. PACKAGE TOP DIMENSION MAY BE SLIGHTLY SMALLER THAN BOTTOM DIMENSION.



3250 SCOTT BOULEVARD  
SANTA CLARA, CA. 95054  
TEL: 408-980-9191  
FAX: 408-567-7878

APPROVALS	DATE	APPROVALS	DATE	SIZE	SCALE
ORIGINATOR:	02/23/98	QUALITY:		A	N/A
CHK'D:		DOCUMENT CONTROL:		28 LEAD PLCC	REVISION
RELEASE DATE:				PACKAGE OUTLINE	03

THESE SPECIFICATIONS ARE THE PROPERTY OF SYNERGY SEMICONDUCTOR, ARE ISSUED IN STRICT CONFIDENCE, AND SHALL NOT BE REPRODUCED, COPIED, OR USED AS THE BASIS FOR THE MANUFACTURE OR SALE OF APPARATUS WITHOUT WRITTEN PERMISSION.