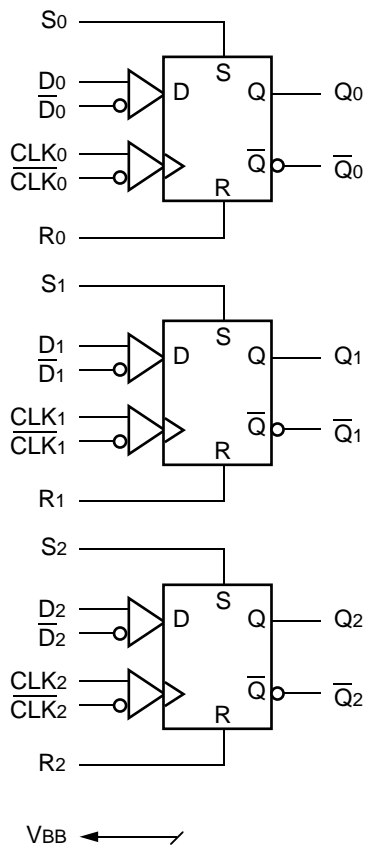


**FEATURES**

- Differential D, clock and Q
- Extended 100E VEE range of -4.2V to -5.5V
- VBB output for single-ended use
- 1100MHz min. toggle frequency
- Edge-triggered asynchronous set and reset
- Fully compatible with Motorola MC10E/100E431
- Available in 28-pin PLCC package

**BLOCK DIAGRAM**



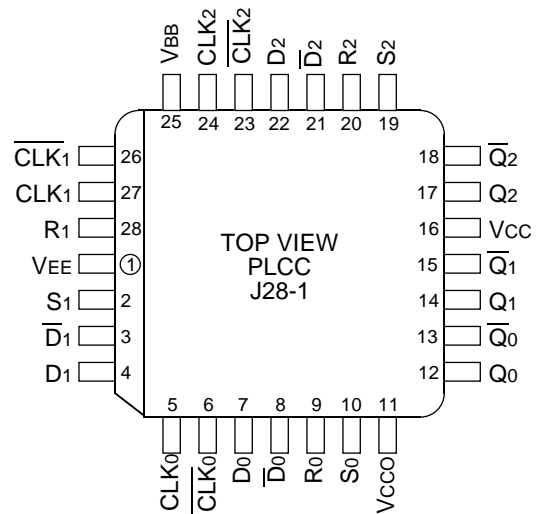
**DESCRIPTION**

The SY10/100E431 are 3-bit flip-flops with differential clock, data input and data output.

The asynchronous Set and Reset controls are edge-triggered rather than level controlled. This allows the user to rapidly set or reset the flip-flop and then continue clocking at the next clock edge without the necessity of de-asserting the set/reset signal (as would be the case with a level controlled set/reset).

The E431 is also designed with larger internal swings, an approach intended to minimize the time spent crossing the threshold region and thus reduces the metastability susceptibility window.

**PIN CONFIGURATION**



**TRUTH TABLE<sup>(1)</sup>**

D <sub>n</sub>	CLK <sub>n</sub>	R <sub>n</sub>	S <sub>n</sub>	Q <sub>n</sub>
L	Z	L	L	L
H	Z	L	L	H
X	L	Z	L	L
X	L	L	Z	H

**NOTE:**

1. Z = LOW-to-HIGH transition.

**PIN NAMES**

Pin	Function
D[0:2], $\bar{D}$ [0:2]	Differential Data Inputs
CLK[0:2], $\bar{CLK}$ [0:2]	Differential Clock Inputs
S[0:2]	Edge Triggered Set Inputs
R[0:2]	Edge Triggered Reset Inputs
VBB	VBB Reference Output
Q[0:2], $\bar{Q}$ [0:2]	Differential Data Outputs
VCC0	VCC to Output

## DC ELECTRICAL CHARACTERISTICS

V<sub>EE</sub> = V<sub>EE</sub> (Min.) to V<sub>EE</sub> (Max.); V<sub>CC</sub> = V<sub>CCO</sub> = GND

Symbol	Parameter	T <sub>A</sub> = 0°C			T <sub>A</sub> = +25°C			T <sub>A</sub> = +85°C			Unit	Condition
		Min.	Typ.	Max.	Min.	Typ.	Max.	Min.	Typ.	Max.		
V <sub>BB</sub>	Output Reference Voltage										V	—
	10E	-1.38	—	-1.27	-1.35	—	-1.25	-1.31	—	-1.19		
	100E	-1.38	—	-1.26	-1.38	—	-1.26	-1.38	—	-1.26		
I <sub>IH</sub>	Input HIGH Current	—	—	150	—	—	150	—	—	150	μA	—
I <sub>EE</sub>	Power Supply Current										mA	—
	10E	—	110	132	—	110	132	—	110	132		
	100E	—	110	132	—	110	132	—	127	152		
V <sub>CMR</sub>	Common Mode Range	-1.5	—	0	-1.5	—	0	-1.5	—	0	V	1

### NOTES:

- V<sub>CMR</sub> is referenced to the most positive side of the differential input signal. Normal operation is obtained when the input signals are within the V<sub>CMR</sub> range and the input swing is greater than V<sub>PP</sub> (min.) and <1V.

## AC ELECTRICAL CHARACTERISTICS

V<sub>EE</sub> = V<sub>EE</sub> (Min.) to V<sub>EE</sub> (Max.); V<sub>CC</sub> = V<sub>CCO</sub> = GND

Symbol	Parameter	T <sub>A</sub> = 0°C			T <sub>A</sub> = +25°C			T <sub>A</sub> = +85°C			Unit	Condition
		Min.	Typ.	Max.	Min.	Typ.	Max.	Min.	Typ.	Max.		
f <sub>MAX</sub>	Max. Toggle Frequency	1100	1400	—	1100	1400	—	1100	1400	—	MHz	—
t <sub>PLH</sub> t <sub>PHL</sub>	Propagation Delay to Output CLK (Diff) CLK (SE) R S	450 400 550 550	600 600 725 725	750 800 925 925	450 400 550 550	600 600 725 725	750 800 925 925	450 400 550 550	600 600 725 725	750 800 925 925	ps	—
t <sub>S</sub>	Set-up Time										ps	1 1
	D	200	0	—	200	0	—	200	0	—		
	R S	1000 1000	700 700	— —	1000 1000	700 700	— —	1000 1000	700 700	— —		
t <sub>H</sub>	Hold Time, D	200	0	—	200	0	—	200	0	—	ps	—
t <sub>PW</sub>	Minimum Pulse Width, CLK	400	—	—	400	—	—	400	—	—	ps	—
t <sub>skew</sub>	Within-Device Skew	—	50	—	—	50	—	—	50	—	ps	2
V <sub>PP</sub> (AC)	Minimum Input Swing	150	—	—	150	—	—	150	—	—	mV	3
t <sub>r</sub> t <sub>f</sub>	Rise/Fall Time 20% to 80%	275	450	650	275	450	650	275	450	650	ps	—

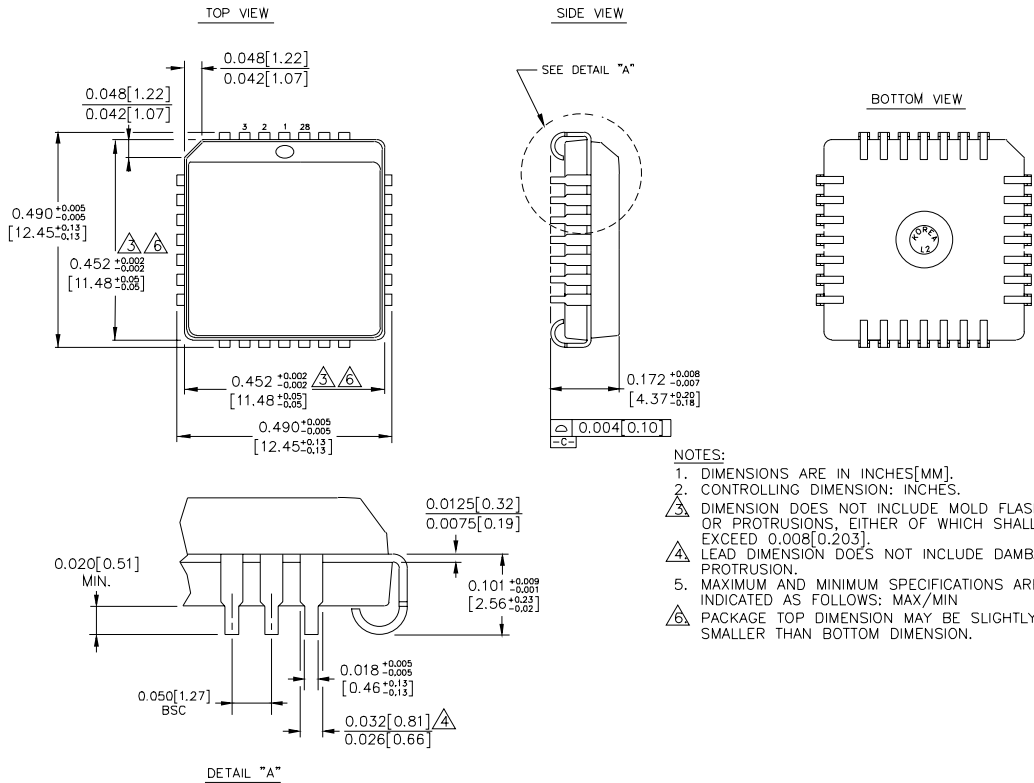
### NOTES:

- These set-up times define the minimum time the CLK or SET/RESET input must wait after the assertion of the RESET/SET input to assure the proper operation of the flip-flop.
- Within-device skew is defined as identical transitions on similar paths through a device.
- Minimum input swing for which AC parameters are guaranteed.

## PRODUCT ORDERING CODE

Ordering Code	Package Type	Operating Range
SY10E431JC	J28-1	Commercial
SY10E431JCTR	J28-1	Commercial
SY100E431JC	J28-1	Commercial
SY100E431JCTR	J28-1	Commercial

**28 LEAD PLCC (J28-1)**



- NOTES:**
1. DIMENSIONS ARE IN INCHES[MM].
  2. CONTROLLING DIMENSION: INCHES.
  3. DIMENSION DOES NOT INCLUDE MOLD FLASH OR PROTRUSIONS, EITHER OF WHICH SHALL NOT EXCEED 0.008[0.203].
  4. LEAD DIMENSION DOES NOT INCLUDE DAMBAR PROTRUSION.
  5. MAXIMUM AND MINIMUM SPECIFICATIONS ARE INDICATED AS FOLLOWS: MAX/MIN
  6. PACKAGE TOP DIMENSION MAY BE SLIGHTLY SMALLER THAN BOTTOM DIMENSION.

Rev. 03

---

**MICREL-SYNERGY 3250 SCOTT BOULEVARD SANTA CLARA CA 95054 USA**

TEL + 1 (408) 980-9191 FAX + 1 (408) 914-7878 WEB <http://www.micrel.com>

This information is believed to be accurate and reliable, however no responsibility is assumed by Micrel for its use nor for any infringement of patents or other rights of third parties resulting from its use. No license is granted by implication or otherwise under any patent or patent right of Micrel Inc.

© 2000 Micrel Incorporated

---