

66013**DUAL CHANNEL, HERMETICALLY SEALED, HIGH-SPEED
6N134 OPTOCOUPLER****Mii****OPTOELECTRONIC PRODUCTS
DIVISION****Features:**

- DSCC Approved 8102801EX
- 5 MHz bandwidth typical
- 1500 Vdc isolation test voltage
- TTL compatible input and output
- High radiation immunity
- Faraday shield to provide high common mode rejection

Applications:

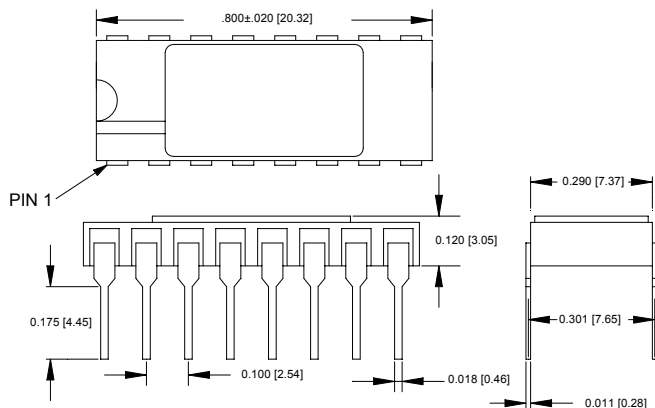
- Military and space
- High reliability systems
- Voltage level shifting
- Isolated receiver input
- Communication systems
- Medical systems

DESCRIPTION

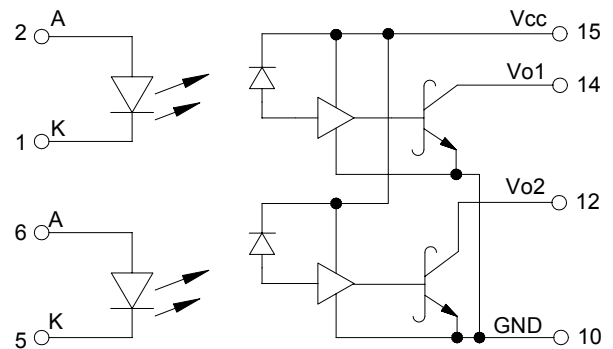
The **66013** dual channel optocoupler consists of two LED's optically coupled to two high speed, high gain inverting detector gates. Maximum isolation can be achieved while providing TTL outputs capable of switching with propagation delays of 55ns typical. The 66013 is a 16 pin dual-in-line, hermetically sealed package and is available in standard and MIL-PRF-38534 screened versions or tested to customer specifications.

ABSOLUTE MAXIMUM RATINGS

Storage Temperature.....	-65°C to +150°C
Operating Free-Air Temperature Range	-55°C to +125°C
Lead Solder Temperature (For 10s, 1/16" [1.6mm] from package).....	260°C
Peak Forward Input Current (each channel).....	40mA (1ms duration)
Average Forward Input Current (each channel).....	20mA
Input Power Dissipation (each channel).....	35mW
Reverse Input Voltage (each channel).....	5V
Supply Voltage.....	7V(1 minute maximum)
Output Current - I_O (each channel).....	25mA
Output Power Dissipation (each channel).....	40mW
Output Voltage - V_O (each channel).....	7V
Total Power Dissipation (both channels).....	350mW

Package Dimensions

ALL DIMENSIONS ARE IN INCHES [MILLIMETERS]

Schematic Diagram

ELECTRICAL CHARACTERISTICST_a = -55°C TO AT 125°C UNLESS OTHERWISE SPECIFIED.

PARAMETER	SYMBOL	MIN	TYP	MAX	UNITS	TEST CONDITIONS	NOTE
High Level Output Current	I _{OH}		5	250	μA	V _{CC} = 5.5V, V _O = 5.5V, I _F = 250μA	1
Low Level Output Voltage	V _{OL}		0.35	0.6	V	V _{CC} = 5.5V, I _F = 10mA I _{OL} (Sinking) = 10mA	1,9
High Level Supply Current (Both Channels)	I _{CCH}		18	28	mA	V _{CC} = 5.5V, I _F = 0	
Low Level Supply Current (Both Channels)	I _{CCL}		26	36	mA	V _{CC} = 5.5V, I _F = 20mA	
Input Forward Voltage	V _F		1.5	1.75	V	I _F = 20mA	1
Input Reverse Breakdown Voltage	BV _R	5			V	I _R = 10μA	
Input-Output Insulation Leakage Current	I _{I-O}			1.0	μA	V _{I-O} = 1500Vdc, Relative Humidity = 45% t _a = 25°C, t = 5s	2
Propagation Delay Time To High Output Level	t _{PLH}		45	100	ns	R _L = 510Ω, C _L = 50pF I _F = 13mA, T _a = 25°C	5
Propagation Delay Time To Low Output Level	t _{PHL}		55	100	ns	R _L = 510Ω, C _L = 50pF I _F = 13mA, T _a = 25°C	6
Delay Time To Low to High Output Level (90%)	t _{LH}			90	ns	R _L = 510Ω, C _L = 50pF I _F = 13mA, T _a = 25°C	
Delay Time To High to Low Output Level (90%)	t _{HL}			40	ns	R _L = 510Ω, C _L = 50pF I _F = 13mA, T _a = 25°C	

TYPICAL CHARACTERISTICS T_A = 25°C, V_{CC} = 5V EACH CHANNEL

PARAMETER	SYMBOL	MIN	TYP	MAX	UNITS	TEST CONDITIONS	NOTE
Input Capacitance	C _{IN}		60		pF	V _F = 0, f = MHz	1
Input Diode Temperature Coefficient	$\frac{\Delta V_F}{\Delta T_A}$		-1.9		mV/°C	I _F = 20mA	1
Resistance (Input-Output)	R _{I-O}		10 ¹²		Ω	V _{I-O} = 500V	3
Capacitance (Input-Output)	C _{I-O}		1.7		pF	f = 1MHz	3
Input-Input Insulation Leakage Current	I _{I-I}		0.5		nA	Relative Humidity = 45% V _{I-I} = 500V, t = 5s	4
Resistance (Input-Input)	R _{I-I}		10 ¹²		Ω	V _{I-I} = 500V	4
Capacitance (Input-Input)	C _{I-I}		0.80		pF	f = 1MHz	4
Output Rise-Fall Time (10-90%)	t _r , t _f		35	90	ns	R _L = 510Ω, C _L = 50pF I _F = 13mA	
Common Mode Transient Immunity at High Output Level	CM _H	1000	10000		V/μs	V _{CM} = 10V (peak), V _O (min) = 2V, R _L = 510Ω, I _F = 0mA	7
Common Mode Transient Immunity at Low Output Level	CM _L	1000	10000		V/μs	V _{CM} = 10V (peak), V _O (max) = 0.8V, R _L = 510Ω, I _F = 10mA	8

NOTES:

- Each channel
- Measured between pins 1 through 8 shorted together and pins 9 through 16 shorted together.
- Measured between pins 9 and 10 or 11 and 12 shorted together, and pins 9 through 16 shorted together.
- Measured between pins 9 and 10 shorted together, and pins 11 and 12 shorted together.
- The t_{plh} propagation delay is measured from the 6.5mA point on the trailing edge of the input pulse to the 1.5V point on the trailing edge of the output pulse.
- The t_{phl} propagation delay is measured from the 6.5mA point on the leading edge of the input pulse to the 1.5V point on the leading edge of the output pulse.
- CM_H is the max. tolerable common mode transient to assure that the output will remain in a high logic state (i.e. V_O > 2.0V).
- CM_L is the max. tolerable common mode transient to assure that the output will remain in a low logic state (i.e. V_O < 0.8V).
- It is essential that a bypass capacitor (.01 to 0.1μF ceramic) be connected from pin 10 to pin 15.

RECOMMENDED OPERATING CONDITIONS:

PARAMETER	SYMBOL	MIN	MAX	UNITS
Input Current, Low Level Each Channel	I _{FL}	0	250	μA
Input Current, High Level Each Channel	I _{FH}	12.5	20	mA
Supply Voltage	V _C	4.5	5.5	V

SELECTION GUIDE

PART NUMBER	PART DESCRIPTION
66013-000	Dual Channel Optocoupler with 100% device screening
66013-001	DSCC Dwg 8102801EX Dual Channel Optocoupler
66013-002	Dual Channel Optocoupler, Commercial, tested over full military temperature range (-55°C to +125°C)
66013-003	Dual Channel Optocoupler, Commercial (0° to 70°C)