



VP310

Satellite Channel Decoder Preliminary Information

SHORTFORM TECHNICAL MANUAL

DS5155 -1.00 21/04/99

VP310 - Key Features

Ordering Information VP310 CG GQ1R
--

- Conforms to EBU specification for DVB-S and DirecTV specification for DSS.
- On-chip digital filtering supports 1 to 45MBaud Symbol rates.
- On-chip 6-bit 60 or 90MHz dual-ADC.
- High speed scanning mode for blind symbol rate and code rate acquisition.
- Up to ± 15 MHz LNB frequency tracking.
- Fully digital timing and phase recovery loops.
- High level software interface for minimum development time.
- DiSEqC™ v1.1: control outputs for full control of LNB and dish.

Applications

- DVB 1 to 45MBaud compliant satellite receivers.
- DSS 20MBaud compliant satellite receivers.
- SCPC receivers. (Single Channel Per Carrier)
- SMATV trans-modulators. (Single Master Antenna TV)
- LMDS. (Local Multipoint Distribution Service)
- Satellite PC applications.

The VP310 is a QPSK/BPSK 1 to 45MBaud demodulator and channel decoder for digital satellite television transmissions to the European Broadcast Union ETS 300 421 specification. It receives analog I and Q signals from the tuner, digitises and digitally demodulates this signal, and implements the complete DVB/DSS FEC (Forward Error Correction), and de-scrambling function. The output is in the form of MPEG2 or DSS transport stream data packets. The VP310 also provides automatic gain control to the RF front-end devices.

The VP310 has a serial I²C port interface to the control microprocessor. Minimal software is required to control the VP310 because of the built in automatic search and decode control functions.

Overview

The VP310 is a QPSK/BPSK 1 to 45MBaud demodulator and channel decoder for digital satellite television transmissions compliant to both DVB-S and DSS standards and other systems, such as LMDS, that use the same architecture.

A Command Driven Control (CDC) system is provided making the VP310 very simple to program. After the tuner has been programmed to the required frequency, to acquire a DVB transmission, the VP310 requires a minimum of five registers to be written, see Figure 15 on page 19. Activity flow diagrams for initialisation and basic channel change are included in section 2.

The VP310 provides a monitor of Bit Error Rate after the QPSK module and also after the Viterbi module.

For receiver installation, a high speed scan or 'blind search' mode is available. This allows all signals from a given satellite to be evaluated for frequency, symbol rate and convolutional coding scheme.

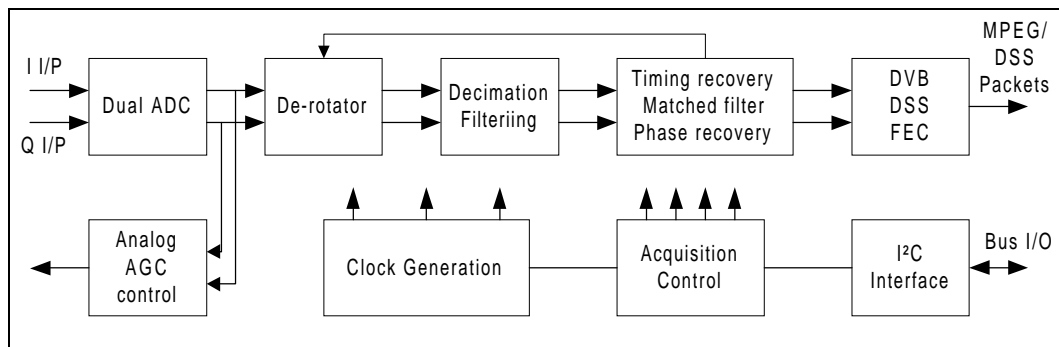


Figure 1. VP310 Functional Block Diagram.

Additional Features

- I²C bus microprocessor interface.
- All digital clock and carrier recovery.
- On-chip PLL clock generation using low cost 10 to 15MHz crystal.
- 3.3V operation.
- 80 pin MQFP package.
- Low external component count.
- Commercial temperature range 0 to 70°C.

Demodulator

- BPSK or QPSK programmable.
- Optional fast acquisition mode for low symbol rates.

Viterbi

- Programmable decoder rates 1/2, 2/3, 3/4, 5/6, 6/7, 7/8.
- Constraint length k=7.
- Trace back depth 128.
- Extensive SNR and BER monitors.

De-Interleaver

- Compliant with DVB and DSS standards.

Reed Solomon

- (204, 188) for DVB and (146,130) for DSS.
- Reed Solomon Bit-error-rate monitor to indicate Viterbi performance.

De-Scrambler

- EBU specification De-scrambler for DVB mode.

Outputs

- MPEG transport parallel & serial output.
- Integrated MPEG2 TEI bit processing for DVB only.

Application Support

- Channel decoder system evaluation board.
- I²C interface board to PC.
- Windows based evaluation software.
- ANSI C generic software.
- Application support help desk via email/telephone.

PLEASE NOTE: This manual has the following convention:

All numerical values are shown as decimal numbers, unless otherwise defined.

1. FUNCTIONAL DESCRIPTION

1.1 Introduction

VP310 is a single-chip variable rate digital QPSK/BPSK satellite demodulator and channel decoder. The VP310 accepts base-band in-phase and quadrature analog signals and delivers an MPEG or DSS packet data stream. Digital filtering in VP310 removes the need for any external anti-alias filtering for all symbol rates from 1 to 45Mbaud. Frequency, timing and carrier phase recovery are all digital and the only feed-back to the analog front-end is for automatic gain control. The digital phase recovery loop enables very fine bandwidth control that is needed to overcome performance degradation due to phase and thermal noise.

All acquisition algorithms are built into the VP310 controller. The VP310 can be operated in a Command Driven Control (CDC) mode by specifying the Symbol rate and Viterbi code rate. There is also a provision for a search for unknown Symbol rates and Viterbi code rates.

1.2 Analog-to-Digital Converter

The VP310 contains dual 6-bit A/D converters which each sample a 1.0Vpp single-ended analog input at up to 90MHz. The fixed rate sampling clock is provided on-chip using a programmable PLL needing only a low cost 10 to 15MHz crystal. Different crystal frequencies can be combined with different PLL ratios, depending on the maximum symbol rate, allowing a flexible approach to clock generation.

1.3 QPSK Demodulator

The demodulator in the VP310 consists of signal amplitude offset compensation, frequency offset compensation, decimation filtering, carrier recovery, symbol recovery and matched filtering.

The decimation filters give continuous operation from 2Mbits/s to 90Mbits/s allowing one receiver to cover the needs of the consumer market as well as the single carrier per channel (SCPC) market with the same components without compromising performance, that is, the channel reception is within 0.5dB from theory. For a given Symbol rate, control algorithms on the chip detect the number of decimation stages needed and switch them in automatically.

The frequency offset compensation circuitry is capable of tracking out up to ± 15 MHz frequency offset. This allows the system to cope with relatively large frequency uncertainties introduced by the Low Noise Block (LNB). Full control of the LNB is provided by the DiSEqC outputs from the VP310. Horizontal / Vertical polarisation and an instruction modulated 22kHz signal are available under register control. All DiSEqC v1.1 functions are implemented on the VP310.

An internal state machine that handles all the demodulator functions controls the signal tracking and acquisition. Various pre-set modes are available as well as blind acquisition where the receiver has no prior knowledge of the received signal. Fast acquisition algorithms have been provided for low Symbol rate applications. Full interactive control of the acquisition function is possible for debug purposes.

In the event of a signal fade or a cycle slip, QPSK demodulator allows sufficient time for the FEC to re-acquire lock, for example, via a phase rotation in the Viterbi decoder. This is to minimise the loss of signal due to the signal fade. Only if the FEC fails to re-acquire lock for a long period (which is programmable) would QPSK try to re-acquire the signal.

The matched filter is a root-raised-cosine filter with either 0.20 or 0.35 roll-off, compliant with DSS and DVB standards. Although not a part of the DVB standard, VP310 allows a roll-off of 0.20 to be used with other DVB parameters.

An AGC signal is provided to control the signal levels in the tuner section of the receiver and ensure the signal level fed to the VP310 is set at an optimal value under all reception conditions.

The VP310 provides comprehensive information on the input signal and the state of the various parts of the device. This information includes Signal to Noise Ratio (SNR), signal level, AGC lock, timing and carrier lock signals. A maskable interrupt output is available to inform the host controller when events occur.

1.4 Forward Error Correction

The VP310 contains FEC blocks to enable error correction for DVB-S and DSS transmissions. The Viterbi decoder block can decode the convolutional code with rates 1/2, 2/3, 3/4, 5/6, 6/7 or 7/8. The block features automatic synchronisation and automatic code rate detection. The trace back depth of 128 provides better performance at high code rates and the built-in synchronisation algorithm allows the Viterbi decoder to lock onto signals with very poor signal-to-noise ratios. Viterbi bit error rate monitor provides an indication of the error rate at QPSK output.

The 24-bit error count register in the Viterbi decoder allows the bit error rate at the output of the QPSK demodulator to be monitored. The 24-bit bit error count register in the Reed-Solomon decoder allows the Viterbi output bit error rate to be monitored. The 16-bit uncorrectable packet counter yields information about the output packet error rate. These three monitors and the QPSK SNR register allows the performance of the device and its individual components, such as the QPSK demodulator and the Viterbi decoder, to be monitored extensively by the external microprocessor.

The frame/byte align block features a sophisticated synchronisation algorithm to ensure reliable recovery of DVB and DSS framed data streams under worst case signal conditions. The de-interleaver uses on-chip RAM and is compatible with the DVB and DSS algorithms.

The Reed-Solomon decoder is a truncated version of the (255, 239) code. The code block size is 204 for DVB and 146 for DSS. The decoder provides a count of the number of uncorrectable blocks as well as the number of bit errors corrected. The latter gives an indication of the bit error rate at the output of the Viterbi decoder.

In DVB mode, spectrum de-scrambling is performed compatible with the DVB specification. The final output is a parallel or serial transport data stream; packet sync; data clock; and a block error signal. The data clock may be inverted under software control.

1.4.1.1 Viterbi error count measurement

A method of estimating the bit error rate at the output of the QPSK block has been provided in the Viterbi decoder. The incoming data bit stream is delayed and compared with the re-encoded and punctured version of the decoded bit stream to obtain a count of errors see Figure 2 below.

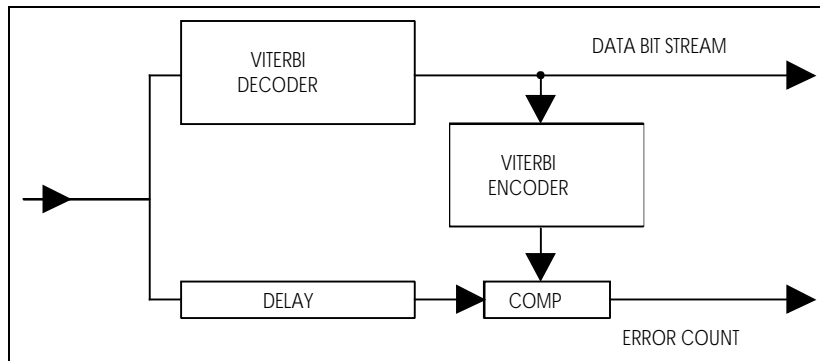


Figure 2. Viterbi block diagram.

The measurement system has a programmable register to determine the number of data bits (the error count period) over which the count is being recorded. A read register indicates the error count result and an interrupt can be generated to inform the host microprocessor that a new count is available.

The VIT_ERRPER H-M-L group of three registers is programmed with required number of data bits (the error count period) (VIT_ERRPER[23:0]). The actual value is four times VIT_ERRPER[23:0]. The count of errors found during this period is loaded by the VP310 into the VIT_ERRCNT H-M-L trio of registers when the bit count VIT_ERRPER[23:0] is reached. At the same time an interrupt is generated on the $\overline{\text{TRQ}}$ line. Setting the IE_FEC[2] bit in the IE_FEC register enables the interrupt. Reading the register does not clear VIT_ERRCNT [23:0], it is only loaded with the error count.

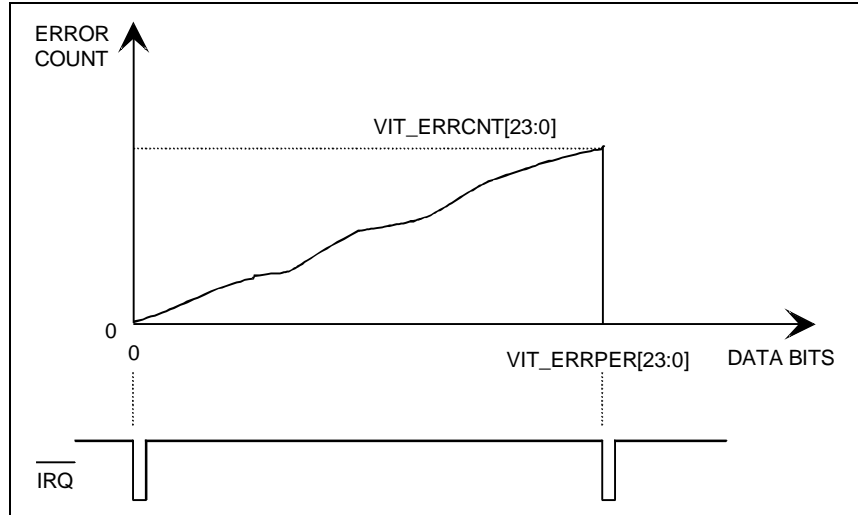


Figure 3. Viterbi error count measurement.

Figure 3 above shows the bit errors rising until the maximum programmed value of VIT_ERRPER[23:0] is reached, when an interrupt is generated on the $\overline{\text{IRQ}}$ line to advise the host microprocessor that a new value of bit error count has been loaded into the VIT_ERRCNT[23:0] register. The $\overline{\text{IRQ}}$ line will go high when the IE_FEC register is read by the host microprocessor.

VIT_ERRCNT[23:0] VIT_ERRPER[23:0]

The error count may be expressed as a ratio: $\frac{\text{VIT_ERRCNT}[23:0]}{\text{VIT_ERRPER}[23:0] * 4}$

1.4.1.2 Viterbi error count coarse indication

To assist in the process of aligning the receiver dish aerial, a coarse indication of the number of bit errors being received can be provided by monitoring the STATUS line with the following set up conditions.

The frequency of the output waveform will be a function of the bit error count (triggering the maximum value programmed into the VIT_MAXERR[7:0] register and the dish alignment on the satellite. This VIT_MAXERR mode is enabled by setting the FEC_STAT_EN register bit B0. Figure 4 on page 8 shows the bit errors rising to the maximum value programmed and triggering a change of state on the STATUS line.

The output signal will be in the audio frequency range.

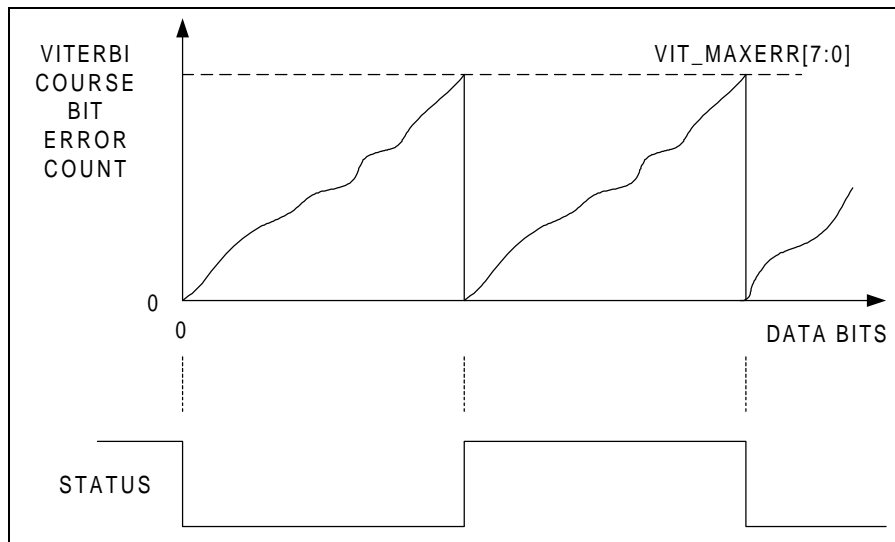


Figure 4. Viterbi error count coarse indication.

1.4.2 The Frame Alignment block

The frame alignment algorithm detects a sequence of correctly spaced synchronising bytes in the Viterbi decoded bit-stream and arranges the input into blocks of data bytes. Each block consists of 204 bytes for DVB and 147 bytes for DSS. In the DSS mode, the synchronising byte is removed from the data stream, so only 146 bytes of a block are passed to the next stage. The frame alignment block also removes the 180° phase ambiguity not removed by Viterbi decoder.

1.4.3 The De-interleaver block

1.4.3.1 DVB

Before transmission, the data bytes are interleaved with each other in a cyclic pattern of twelve. This ensures the bytes are spaced out to avoid the possibility of a noise spike corrupting a group of consecutive message bytes. The diagram below shows conceptually how the convolutional de-interleaving system works. The synchronisation byte is always loaded into the First-In-First-Out (FIFO) memory in branch 0. The switch is operated at regular byte intervals to insert successively received bytes into successive branches. After 12 bytes have been received, byte 13 is written next to the synchronisation byte in branch 0, etc. In the VP310, this de-interleaving function is realised using on-chip Random Access Memory (RAM).

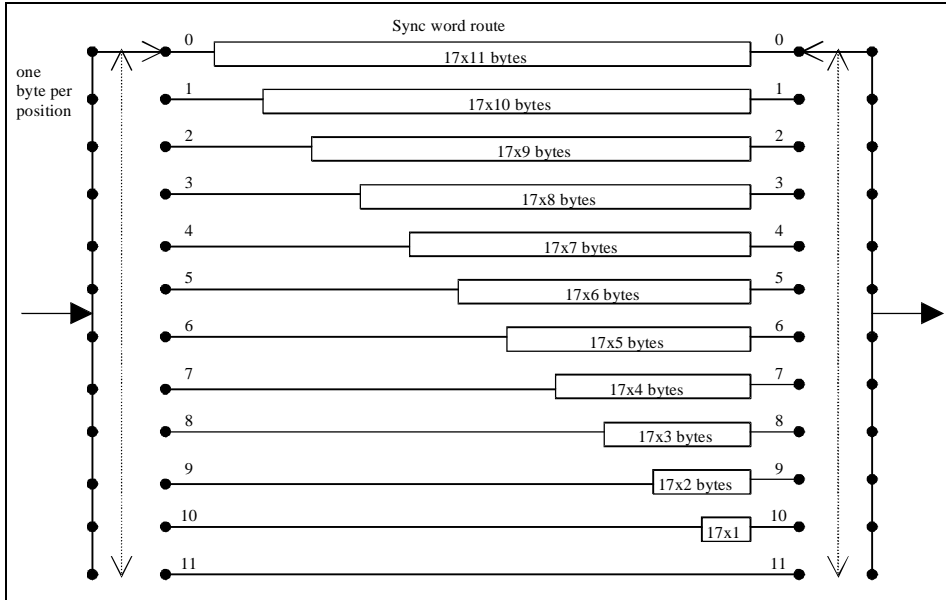


Figure 5. DVB Conceptual diagram of the convolutional de-interleaver block.

1.4.3.2 DSS

Before transmission, the data bytes are interleaved with each other in a cyclic pattern of thirteen. This ensures the bytes are spaced out to avoid the possibility of a noise spike corrupting a group of consecutive message bytes. The diagram below shows conceptually how the convolutional de-interleaving system works. On the VP310, this function is realised in the same Random Access Memory (RAM) as used for DVB, but utilising different addressing algorithm.

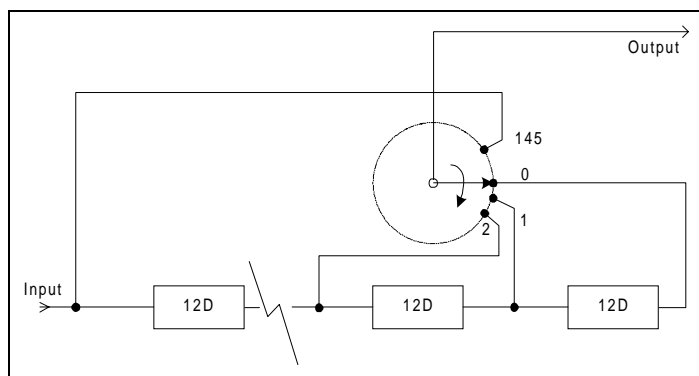


Figure 6. DSS Conceptual diagram of the convolutional de-interleaver block.

1.4.4 The Reed Solomon Decoder block

DVB and DSS data are encoded using shortened versions of the Reed-Solomon code of block length 255, containing 239 message bytes and 16 check bytes, that is (255,239) with $T = 8$. Both encoders use the same generator polynomial. The code block size for DVB is 204 and that for DSS is 146. Hence DVB code is (204, 188) and DSS code is (146, 130), with both having $T = 8$. The block structure of the DVB and DSS Reed-Solomon codes are as shown in Figure 7 and Figure 8 on page 10.

The Reed-Solomon decoder can correct up to eight byte errors per packet. If there are more than 8 bytes containing errors, the packet is flagged as uncorrectable using the pin BKERR. In the case of DVB the transport error indicator (TEI) bit of the MPEG packet is set to 1, if setting of TEI is enabled.

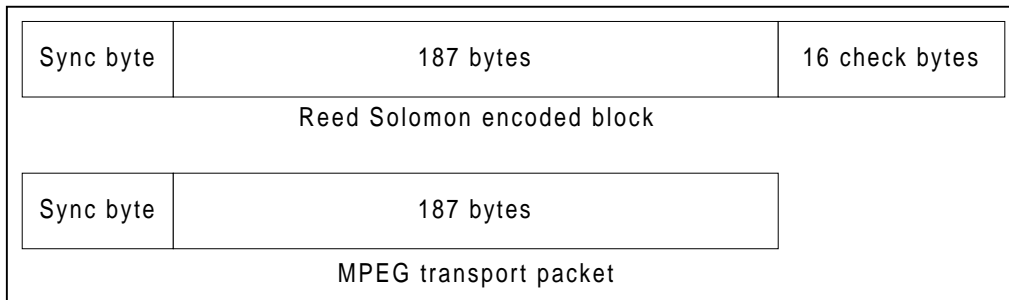


Figure 7. DVB block structure.

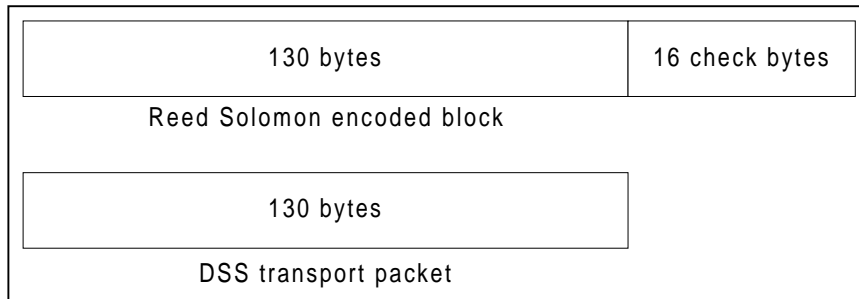


Figure 8. DSS block structure.

1.4.5 The Energy Dispersal (de-scrambler) block, DVB only

Before Reed Solomon encoding in the DVB transmission system, the MPEG2 data stream is randomised using the configuration shown in Figure 9 below. This is a Pseudo Random Binary Sequence (PRBS) generator, with the polynomial:

$$1 + X^{14} + X^{15}$$

The PRBS registers are loaded with the initialisation sequence as shown, at the start of the first transport packet in a group of eight packets. This point is indicated by the inverted sync byte B8hex. The normal DVB sync byte is 47hex. The data starting with the first byte after the sync byte is randomised by exclusive-ORing data bits with the PRBS. (The sync bytes themselves are not randomised).

In the decoder, the process of de-randomising or de-scrambling the data is exactly the same as described above. The de-scrambler also inverts the sync byte B8hex so that all MPEG output packets have the same sync byte 47hex.

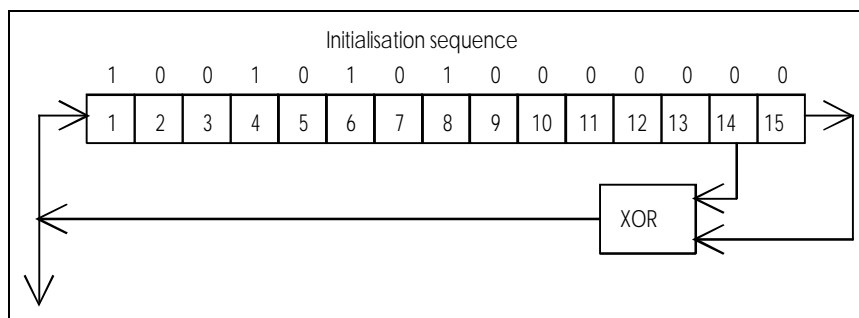


Figure 9. DVB Energy dispersal conceptual diagram.

1.4.6 Output stage

Transport stream can be output in a byte-serial or bit-serial mode. The output interface consists of an 8-bit output, output clock, a packet validation level, a packet start pulse and a block error indicator.

The output clock rate depends on the Symbol rate, QPSK/BPSK choice, convolutional (Viterbi) coding rate, DVB/DSS choice and byte-parallel or bit-serial output mode. This rate is computed by VP310 to be very close to the minimum required to output packet data without packet overlap. Furthermore, the packets at the output of VP310 are as evenly spaced as possible to minimise packet position movement in the transport layer. The maximum movement in the packet synchronisation byte position is limited to \pm one output clock period.

1.5 Control

Automatic Symbol Rate Search, Code Rate Search, Signal Acquisition and Signal Tracking algorithms are built into the VP310 using a sophisticated on-chip controller. The software interaction with the device is via a simple Command Driven Control (CDC) interface. This CDC maps high level inputs such as symbol rates in MBaud and frequencies in MHz, to low level on-chip register settings. The on-chip control state machine and the CDC significantly reduces the software overhead as well as the channel search times. There is also an option for the host processor to by-pass both the CDC as well as the on-chip controller and take direct control of the QPSK demodulator.

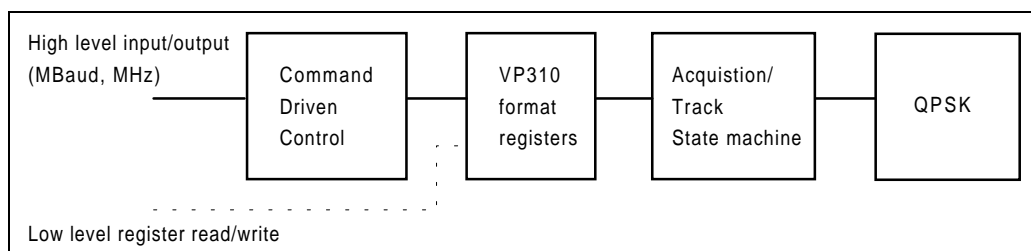


Figure 10. VP310 Control Structure.

Once the VP310 has locked up, any frequency offset can be read from the LNB_FREQ error registers 7 and 8. The frequency synthesiser under the software control can be re-tuned in frequency to optimise the received signal within the SAW bandwidth. Note that VP310 compensates for any frequency offsets before QPSK demodulation. Hence a frequency offset will not necessarily lead to a performance loss. Performance loss will occur only if part of the signal is cut off by the SAW or base-band filter, due to this frequency offset. This will happen only if the symbol rate is close to maximum supported by that filter. In such an event it is recommended that front-end be re-tuned to neutralise this error before the SAW filter. It is then necessary for the VP310 to re-acquire the signal.

The VP310 can generate control signals to enable full control of the dish and LNB. The chip implements the signals needed for the full DiSEqC v1.1 specification. This includes high/low band selection, polarisation and dish position.

The microprocessor interface is via the primary I²C bus. The tuner control from the VP310 is via either I²C bus or 3-wire bus, recreated on the General Purpose Port (GPP).

1.5.1 Known Symbol Rate and Code Rate mode

In this mode, the Symbol rate in MBaud and Viterbi code rate are the only values needed to start the VP310 searching for the signal. The CDC module maps the high level parameters into the various low level register settings needed to acquire and track the signal. The low level registers may be read and directly modified to suit very specific requirements. However, this is not recommended.

1.5.2 Symbol Rate and Code Rate Search mode

Where the Symbol rate and/or the Viterbi code rate are unknown, the VP310 can be programmed to search for QPSK/BPSK signals. The user should define the range(s) over which the search is required. The VP310 will then locate and track any signal detected. Failure to find a QPSK signal specified frequency and specified symbol rate ranges will be indicated by interrupts. VP310 will carry on searching these ranges after issuing these interrupts. When the VP310 has locked onto a signal, the Symbol rate in MBaud may be read from the MONITOR registers. The Viterbi code rate may be read from the FEC_STATUS register. This search facility is primarily for the initial installation of a set top box.

1.6 Applications Information

1.6.1 IF conversion

The VP310 has been designed for maximum flexibility in the satellite application and many options are available. The diagram shown below employs a single conversion system with an IF of 480MHz. The SAW filter is selected for the maximum data rate expected and a SAW resonator is used with the I/Q down converter to mix the input down to baseband I and Q channels for the VP310 to digitise. The fixed sampling frequency of the VP310 is selected to be either 90MHz or 60 MHz depending on the maximum Symbol rate the application must work with. The sample rate must be greater than or equal to twice the Symbol rate. For a table showing SAW bandwidth versus Symbol rate.

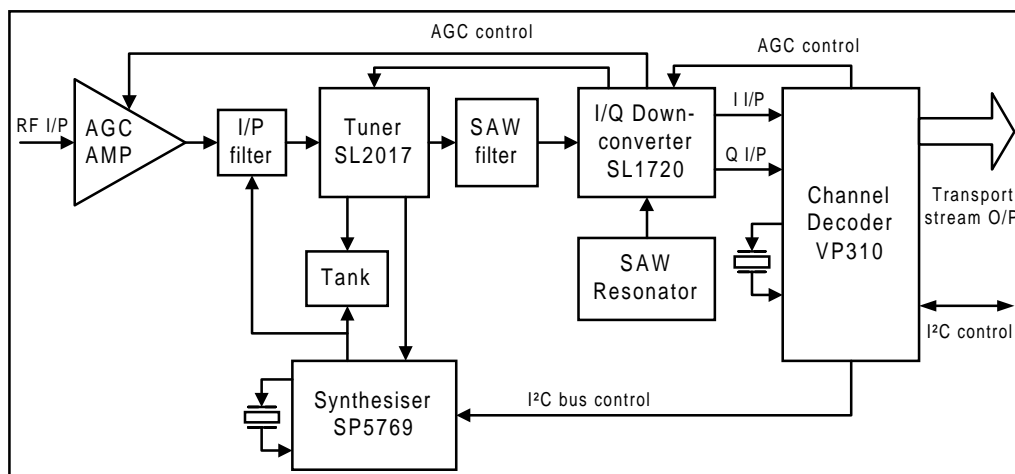


Figure 11. Single Conversion System Diagram.

1.6.2 Direct conversion

Figure 12 below shows a direct conversion system that mixes the L-band input to the tuner directly down to I and Q baseband channels at zero intermediate frequency.

The RF AGC amp and tracking filter provide the required tuner noise figure and limit the total power reaching the SL1925. These elements also give isolation between the SL1925 local oscillator and the L-band tuner input. This is an important factor since both signals are at the same frequency.

The baseband filter is an anti-alias filter. This replaces the filtering normally carried out with a SAW filter in conventional single conversion tuners.

It is important to note that all the channel filtering needed to isolate low Baud rate signals is contained within the VP310. The low pass filter before VP310 is designed not to filter channels, but to minimise any aliasing due to sampling. To illustrate this, let the sampling frequency be 90 MHz and the maximum symbol rate be 45 MBaud. The bandwidth of the 45 MBaud QPSK signal, with 0.35 roll-off, is about 60 MHz. If the channel has been mapped precisely to base-band, the pass-band of the low pass filter should extend up to 30 MHz. However, it is preferable to make this bandwidth larger by about 5 MHz, partly to reduce the in-band phase distortion introduced by the filter and partly to reduce the loss of signal due to LNB offset. The filter must attenuate signals beyond 60 MHz by about 30 dB, as these signal will alias to the useful frequency range with 90 MHz sampling.

Although the system is designed for 45 MBaud, if the actual symbol rate is much lower, say 1 MBaud, then VP310 will automatically introduce all the digital filtering needed to isolate the 1 MBaud signal.

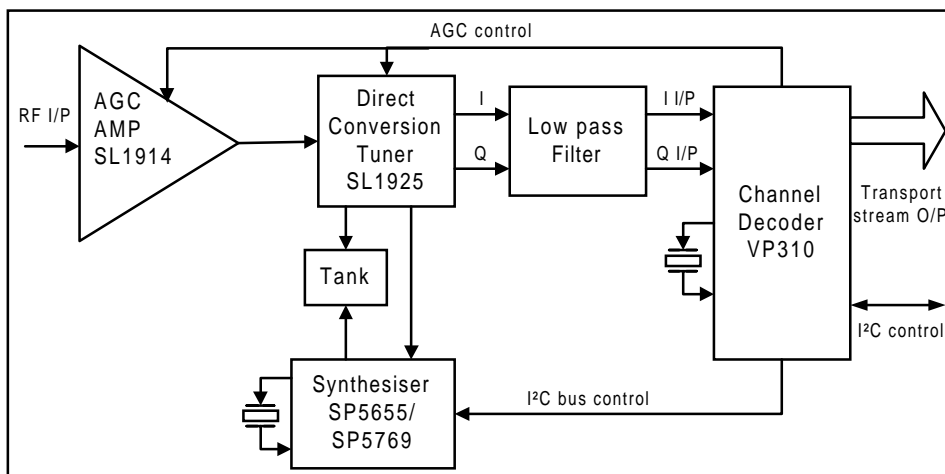


Figure 12. Direct Conversion System Diagram.

2. VP310 software control

This section describes the sequences of register operations needed to acquire DVB and DSS channels with known or unknown parameters.

Communication with the VP310 is via a standard I²C bus and the first byte following the chip address, in write mode, is the register address (RADD).

The register map is organised to group important Read registers at the lowest addresses, then the main control Write registers in the next block of addresses.

The first register to be written must be the Configuration register, which has been placed at the highest register address, because it is only written once during the initialisation sequence.

The CONFIG register can only be reset by the hardware reset. The VP310 is held in a power saving mode following the hardware reset.

After a hardware reset, the VP310 must be taken out of the power save mode by writing a one to the MSB of the CONFIG register. When VP310 is not being used it can be put back into the power save mode by writing a zero to the MSB of CONFIG.

2.1 Initialisation sequence

VP310 will be in the power save mode after a hardware reset. The first command to be written must be to the CONFIGURATION register at address 127. After loading this register, wait 150µs before writing to the RESET register. During this wait, the tuner can be programmed to the required channel frequency via the General Purpose Port (register 20).

Next write 128 to the RESET register (21) to reset the VP310 state machine and all parameter registers to the default settings.

The default settings of the VP310 assume a Gain Control Amplifier with a negative gain Vs voltage slope, i.e. the gain increases with decreasing voltage. However, if this slope is positive, the polarity of the AGC control signal can be inverted by programming 1 to bit B0 of the AGC_CTRL register, i.e. by changing the default AGC_CTRL setting from 38 to 39. It is best to do this immediately after writing 128 to the RESET register. Then the AGC loop can settle whilst the other registers of VP310 are programmed. Note that the initial value, minimum value and the maximum value of the AGC control voltage can also be programmed using the corresponding VP310 registers.

After this, the LNB controls are defined, in register (22) DISEQC_MODE.

The signal parameters should then be written to the VP310. The symbol rate (registers 23 & 25 SYM_RATE) may be specified within $\pm 2\%$ of the required value, absolute precision is not required to achieve successful lock and tracking. If the symbol rate is unknown, a search mode is available.

Selecting the correct bit of register (25) VIT_MODE, if known, programs the convolutional code rate. If the code rate is unknown, some or all of the bits of VIT_MODE may be set to force the VP310 to search for the code rate.

Finally, the VP310 is given a GO command, register (27) GO = 1, to release the state machine and to start the signal acquisition sequence. This is summarised as an example in the following flow diagram.

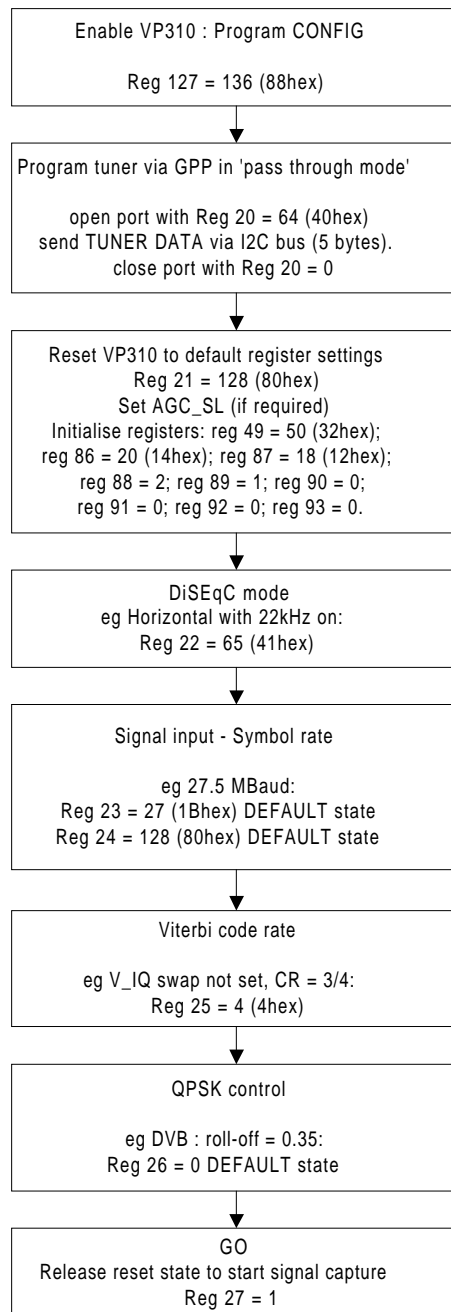


Figure 13. Initialisation sequence in DVB mode.

2.2 Spectral Inversion

Spectral inversion of the QPSK signal can be caused by the transmitter or the receiver front-end. In the latter case, this could happen due to the way I-Q conversion is carried out or because the I and Q wires are swapped between the I-Q converter and the VP310. If spectral inversion is caused by the receiver front-end, then this must be removed by swapping I and Q (within VP310) before QPSK demodulation, by setting Q_IQ_SP bit B6 of QPSK_CTRL register (26) to 1.

If no spectral inversion is caused by the receiver front-end design, then bit B6 of QPSK_CTRL must always be held at zero. If the transmitted signal is known to be spectrally inverted, then V_IQ_SP bit B6 of the VIT_MODE register (25) must be set to 1. Then I and Q are swapped after QPSK demodulation. If the spectral inversion status of the transmitted signal is not known, then after QPSK has locked (i.e. QPSK_CT_LOCK = 1), the software must try to achieve FEC lock with the bit B6 of VIT_MODE register first at zero and then at one.

2.3 Simple channel change sequence

If the VP310 is running, to change channel keeping the same signal conditions, it is only necessary to change the tuner data and possibly the DiSEqC data. NO reset is necessary.

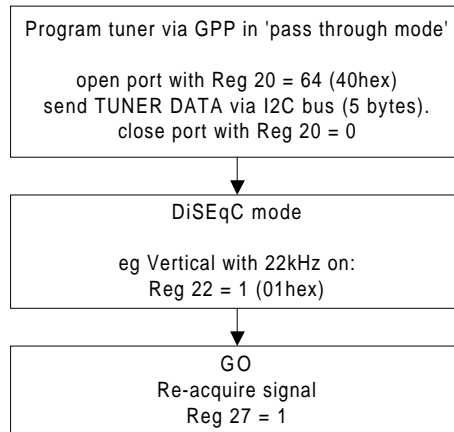


Figure 14. Simple channel change sequence.

2.4 Channel change sequence with a new symbol rate

If the VP310 is running, to change channel and Symbol rate but not Viterbi coding rate, change the tuner data and possibly the DiSEqC data and Symbol rate. NO reset is necessary.

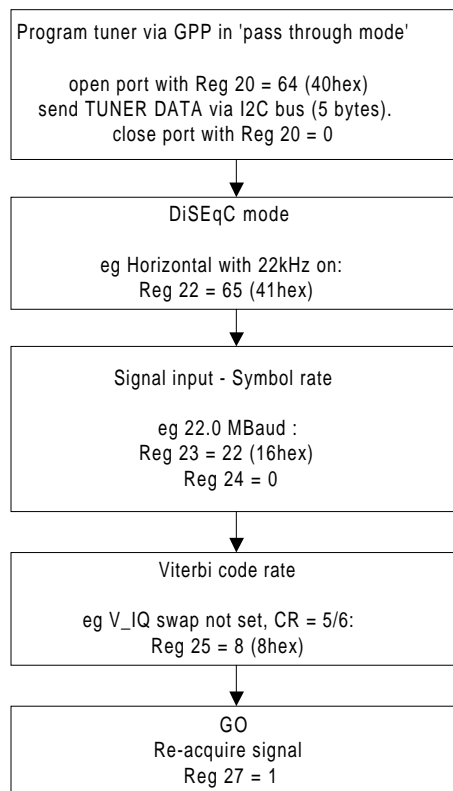


Figure 15. Channel change sequence with new Symbol rate, DVB mode.

2.5 Channel change sequence with Search mode

If the signal parameters are unknown, it is possible to instruct the VP310 to find a digital signal and report the parameters found. Registers 24 and 25 are programmed with the expected range(s) and the search mode bit SYM_RATE[B15] is set high. A code rate search is forced by programming more than one bit in VIT_MODE (26) register.

Note: code rate 6/7 is not searched for DVB mode.

If a signal with the specified symbol rate range (or ranges) is not found in the frequency range searched, a QPSK Baud End interrupt (Bit B6, QPSK_INT_L (2)) is issued.

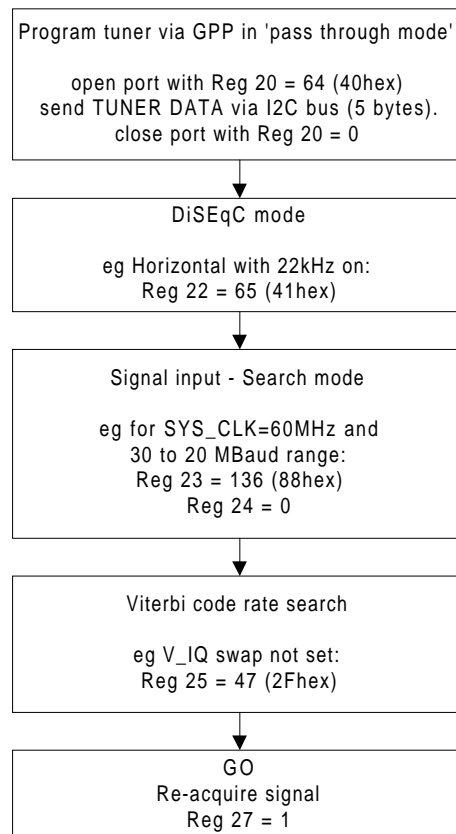


Figure 16. Channel change sequence with search mode, DVB mode.

When the VP310 QPSK section has locked to the signal, this is indicated in register (6) by QPSK_STAT H[B0] = 1. The symbol rate found can be read from registers (123 – 124) MONITOR, provided the register (103) MON_CTRL = 3. The tolerance of the result is $\pm 0.25\%$. The 14 MSBs of this result (discarding two LSBs) may be written as the 14 LSBs of the 16-bit register pair (23 and 24) SYM_RATE in the non-search mode for re-acquisition of the same channel.

The FEC is locked to the signal, when the Byte Align lock in FEC_STATUS[B2] = 1. Then the code rate found can be read from FEC_STATUS[B6-4], see register 6 for details.

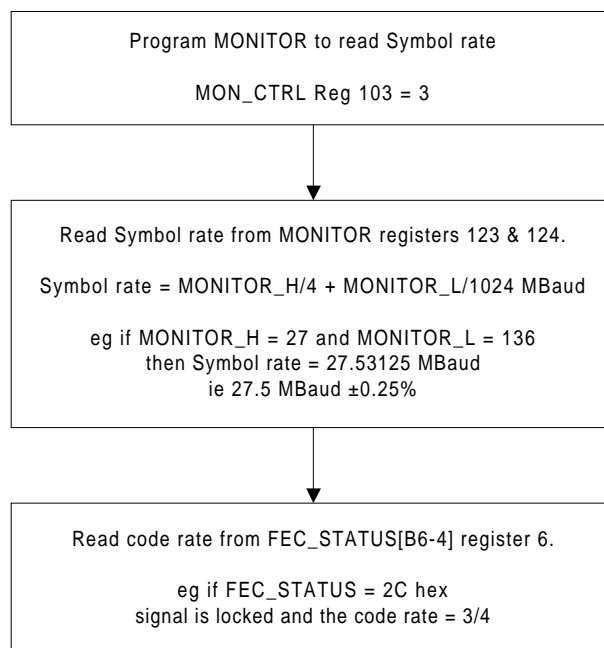


Figure 17. Results of Symbol rate and code rate search, DVB or DSS mode.

2.6 DSS mode of acquisition

This mode is very similar to the DVB mode, except that the Symbol rate is fixed at 20 MBaud. Two code rates are used: DSS-A uses 2/3 or DSS-B uses 6/7. These are programmed in the register (127) CONFIG. If the code rate is unknown, program both DSS-A and DSS-B to force the VP310 to do a code rate search. After changing the CONFIG register, a delay of 150µs should be enforced before programming the RESET register. The Tuner may be programmed via the GPP during this delay period.

Since both symbol rate and code rate are defined by programming the CONFIG register, the contents of registers (23-24) SYM_RATE and register (25) VIT_MODE are ignored in DSS mode.

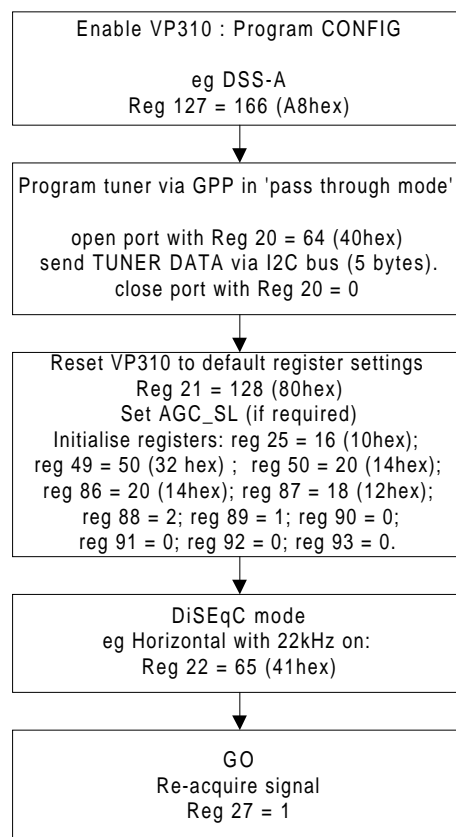


Figure 18. Initialisation sequence in DSS mode.

2.7 Signal and Performance Monitors

The LNB error frequency can be obtained from LNB_FREQ registers (7 – 8). Any LNB error may be removed by offsetting the LNB frequency and re-tuning the tuner by the indicated amount. However, note that VP310 compensates for this frequency error before QPSK demodulation. Hence it is not necessary to re-tune the front-end unless this LNB error causes a significant amount of signal energy to be lost due to anti-alias filtering.

The tuner RF signal level indication can be obtained from AGC H and AGC M registers (108 – 109).

VP310 input signal level indication can be obtained from SIG_LEV register (19).

An indication of Signal to Noise Ratio (SNR) can be obtained from M_SNR registers (9 – 10) where a formula is given. This measurement is only intended as a guide to the SNR of the channel being received. It should not be taken as the absolute value of SNR.

QPSK output Bit Error Rate is available by dividing the reading from VIT_ERRCNT registers (11 – 13) by the reading from VIT_ERRPER registers (83 – 85).

Viterbi output Bit Error Rate is available by reading RS_BERCNT registers (14 – 16). Two readings are taken with a known time interval separating them. The first reading resets the counter at the start of the time period, so it is ignored.

The Reed Solomon uncorrected block error count can be found from RS_UBC registers (17 – 18). This reading is related to the cycle slip performance of the tuner. The measurement technique is similar to that for the Viterbi Bit Error Rate above, two readings being taken over a defined time period. In this case the period will usually be very long, say 24 hours, to accumulate a reasonable count.

3. VP310 register map

RADD is a virtual register with no address containing the address of the register to be accessed. It is written immediately after the I²C write address.

NAME	ADR	B7	B6	B5	B4	B3	B2	B1	B0	DEF hex
RADD	N/A	IAI	AD6	AD5	AD4	AD3	AD2	AD1	AD0	-

3.1 Write / Read register map

NAME	ADR	B7	B6	B5	B4	B3	B2	B1	B0	DEF hex	
GPP_CTRL	20	Reserved	I2C_PAS	GPP_DIR[2:0]			GPP_PIN[2:0]			20	
RESET	21	FR_310	PR_310	FR_QP	PR_QP	FR_VIT	PR_VIT	PR_BA	PR_DS	00	
DISEQC_MODE	22	Reserved	HV	DISEQC instruction length			22kHz mode			00	
SYM_RATE H	23	SEARCH	Reserved	SYM_RATE[13:8] in MBaud (high byte)						1B	
SYM_RATE L	24	SYM_RATE[7:0] in MBaud (low byte)								80	
VIT_MODE	25	Reserved	V_IQ_SP	CR 7/8	CR 6/7	CR 5/6	CR 3/4	CR 2/3	CR 1/2	44	
QPSK_CTRL	26	Reserved	Q_IQ_SP	Reserved	Reserved	Reserved	AFC_M	Reserved	ROLL_20	00	
GO	27	Reserved								GO	00
IE_QPSK H	28	IE_QPSK[23:16] Interrupt enable QPSK (high byte)									00
IE_QPSK M	29	IE_QPSK[15:8] Interrupt enable QPSK (middle byte)									00
IE_QPSK L	30	IE_QPSK [7:0] Interrupt enable QPSK (low byte)									00
IE_FEC	31	IE_FEC[7:0] Interrupt enable FEC									00
QPSK_STAT_EN	32	QPSK_STAT_EN[7:0] Enable various QPSK outputs on STATUS pin									00
FEC_STAT_EN	33	FEC_STAT_EN[3:0] Enable various FEC outputs on STATUS pin									04
SYS_CLK	34	SYS_CLK[7:0] - System clock frequency x2 in MHz									00
DISEQC_RATIO	35	DISEQC_RATIO[7:0]									00
DISEQC_INSTR	36	DISEQC Instruction [7:0]									00
FR_LIM	37	Reserved	FR_LIM[6:0] - Freq. Limit in MHz								30
FR_OFF	38	FR_OFF[7:0] - Freq. Offset in MHz									00
AGC_CTRL	39	Reserved	Reserved	AGC_SD[1:0]		AGC_BW[2:0]		AGC_SL		26	
AGC_REF	41	AGC_REF[7:0] AGC reference level									67
OP_CTRL	96	Reserved	BKERIV	MCLKIV	EN_TEI	BSO	BA_LK[2:0]			33	
MON_CTRL	103	MON_CTRL[7:0] Monitor control									00
CONFIG	127	310_EN	DSS_B	DSS_A	BPSK	PLL_FACTOR[1:0]	CRYS15	ADCEXT		08	

3.2 Read only register map

Writing to these registers will have no effect.

NAME	ADR	B7	B6	B5	B4	B3	B2	B1	B0	DEF hex
QPSK_INT H	00	QPSK_INT[23:16] Interrupt QPSK (high byte)								00
QPSK_INT M	01	QPSK_INT [15:8] Interrupt QPSK (middle byte)								00
QPSK_INT L	02	QPSK_INT [7:0] Interrupt QPSK (low byte)								00
FEC_INT	03	FEC_INT[7:0] Interrupt FEC								00
QPSK_STAT H	04	QPSK STATUS[15:8] (high byte)								00
QPSK_STAT L	05	QPSK STATUS[7:0] (low byte)								00
FEC_STATUS	06	FEC STATUS[7:0]								00
LNB_FREQ H	07	LNB_FREQ[15:8] Measured LNB frequency error (high byte)								00
LNB_FREQ L	08	LNB_FREQ [7:0] Measured LNB frequency error (low byte)								00
M_SNR H	09	Reserved	M_SNR[14:8] Measured SNR (high byte)							00
M_SNR L	10	M_SNR [7:0] Measured SNR (low byte)								00
VIT_ERRCNT H	11	VIT_ERRCNT[23:16] - Viterbi error count (high byte)								00
VIT_ERRCNT M	12	VIT_ERRCNT [15:8] - Viterbi error count (middle byte)								00
VIT_ERRCNT L	13	VIT_ERRCNT [7:0] - Viterbi error count (low byte)								00
RS_BERCNT H	14	RS_BERCNT [23:16] - Reed Solomon bit errors corrected (high byte)								00
RS_BERCNT M	15	RS_BERCNT[15:8] - Reed Solomon bit errors corrected (middle byte)								00
RS_BERCNT L	16	RS_BERCNT[7:0] - Reed Solomon bit errors corrected (low byte)								00
RS_UBC H	17	RS_UBC [15:8] - Reed Solomon uncorrected block errors (high byte)								00
RS_UBC L	18	RS_UBC[7:0] - Reed Solomon uncorrected block errors (low byte)								00
SIG_LEVEL	19	SIG_LEVEL[11:4] - Signal level at VP310 input								00
AGC H	108	AGC[23:16] - Front end AGC (high byte)								00
AGC M	109	AGC[15:8] - Front end AGC (middle byte)								00
AGC L	110	AGC[7:0] - Front end AGC (low byte)								00
FREQ_ERR1 H	111	FREQ_ERR1[23:16] Input frequency error course (high byte)								00
FREQ_ERR1 M	112	FREQ_ERR1[15:8] Input frequency error course (middle byte)								00
FREQ_ERR1 L	113	FREQ_ERR1[7:0] Input frequency error course (low byte)								00
FREQ_ERR2 H	114	FREQ_ERR2[15:8] Input frequency error fine (high byte)								00
FREQ_ERR2 L	115	FREQ_ERR2[7:0] Input frequency error fine (low byte)								00
SYM_RAT_OP H	116	SYM_RAT_OP[15:8] Symbol Rate Output (high byte)								00
SYM_RAT_OP L	117	SYM_RAT_OP [7:0] Symbol Rate Output (low byte)								00
MONITOR H	123	MONITOR[15:8] Monitor (high byte)								00
MONITOR L	124	MONITOR[7:0] Monitor (low byte)								00

4. ELECTRICAL CHARACTERISTICS

4.1 Recommended operating conditions

Parameter	Symbol	Min.	Typ.	Max.	Units
Power supply voltage	VDD	3.0	3.3	3.6	V
Power supply current	IDD		TBD		mA
Input clock frequency ¹	$\overline{\text{XTI}}$	9.99		16.00	MHz
SCL clock frequency	fSCL			450	kHz
Ambient operating temperature		0		70	°C

Table 1. Recommended operating conditions.

Note 1. When not using a crystal, $\overline{\text{XTI}}$ may be driven from an external source over the frequency range shown.

4.2 Absolute maximum ratings

Parameter	Symbol	Min.	Max.	Unit
Power supply	VDD	-0.3	+3.6	V
Voltage on input pins (5 v rated)	VI	-0.3	5.5	V
Voltage on input pins (3.3v rated)	VI	-0.3	VDD + 0.3	V
Voltage on output pins (5v rated)	VO	-0.3	5.5	V
Voltage on output pins (3.3v rated)	VO	-0.3	VDD + 0.3	V
Storage temperature	TSTG	-55	150	°C
Operating ambient temperature	TOP	0	70	°C
Junction temperature	TJ		125	°C

Table 2. Maximum operating conditions.

Note: Stresses exceeding these listed under absolute maximum ratings may induce failure. Exposure to absolute maximum ratings for extended periods may reduce reliability. Functionality at or above these conditions is not implied.

4.3 Crystal specification

Parallel resonant fundamental frequency (preferred)	9.99 to 16.00MHz.
Tolerance over operating temperature range	± 25ppm.
Tolerance overall	± 50ppm.
Nominal load capacitance	30pF.
Equivalent series resistance	<35Ω

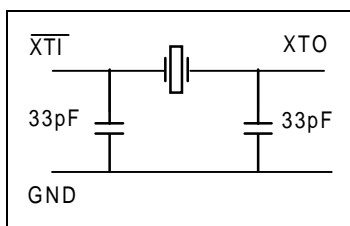


Figure 19. Crystal oscillator circuit.

NOTE: The crystal frequency should be chosen to ensure that the system clock would marginally exceed the maximum symbol rate required.

4.4 DC electrical characteristics

Parameter	Conditions / Pin	Symbol	Min.	Typ.	Max.	Unit
Operating voltage		VDD	3.0	3.3	3.6	V
Average power supply current		IDD		TBD		mA
Average supply current Stand-by Mode					TBD	μA
Output levels VOH Tri-state push pull	1 mA drive current. IIN, QIN, CLKOUT, MDO, MOVAL, MOSTRT, MCLK, BKERRB, DISECQ, STATUS	VOH	0.80VDD	0.92VDD		V
Output levels VOL Tri-state push pull	1 mA drive current, Pins as VOH.	VOL		0.2	0.4	V
Output level open drain	4 mA drive current. 6 mA drive current. AGC, SDA, IRQB, GPP<2:0>				0.4 0.6	V V
Open drain output max. voltage					5.5	V
Input levels VIH CMOS	3.3V input	VIH	0.8VDD		3.6	V
Input levels VIH CMOS	5.0V input	VIH	0.8VDD		5.5	V
Input levels VIL CMOS		VIL			0.2VDD	V
Input leakage Current	VIN = 0 and VDD				10	μA

Table 3. DC electrical characteristics.

4.5 Numerical listing of pin-out

PIN	FUNCTION	PIN	FUNCTION	PIN	FUNCTION	PIN	FUNCTION
1	VSS	21	PLLVDD	41	VSS	61	MDO[1]
2	VDD	22	PLLGND	42	VDD	62	VDD
3	IIN[1]	23	PLL1	43	AGC	63	MDO[2]
4	IIN[0]	24	ADCFGND	44	GPP[0] (SCL2)	64	MDO[3]
5	QIN[5]	25	ADCFVDD	45	GPP[1] (SDA2)	65	MDO[4]
6	QIN[4]	26	VRT	46	GPP[2]	66	MDO[5]
7	QIN[3]	27	IREF	47	DISEQC[1]	67	VDD
8	QIN[2]	28	ISINGP	48	DISEQC[0]	68	MDO[6]
9	VDD	29	COMP	49	$\overline{\text{RESET}}$	69	MDO[7]
10	VSS	30	ADCDVDD	50	VDD	70	VSS
11	QIN[1]	31	ADCDGND	51	VSS	71	$\overline{\text{MDOEN}}$
12	QIN[0]	32	VRM	52	STATUS	72	MOVAL
13	VDD	33	QSINGP	53	SCL	73	VDD
14	CLKIN	34	QREF	54	SDA	74	VSS
15	VSS	35	VRB	55	VDD	75	$\overline{\text{BKERR}}$
16	CLKOUT	36	ADCAGND	56	VSS	76	MOSTRT
17	VDD	37	ADCAVDD	57	$\overline{\text{IRQ}}$	77	IIN[5]
18	$\overline{\text{XTI}}$	38	RREF	58	MCLK	78	IIN[4]
19	XTO	39	TEST1	59	MDO[0]	79	IIN[3]
20	VSS	40	TEST2	60	VSS	80	IIN[2]

Table 4. Numerical listing of pin-out.

5. APPENDIX 1: Application Schematic

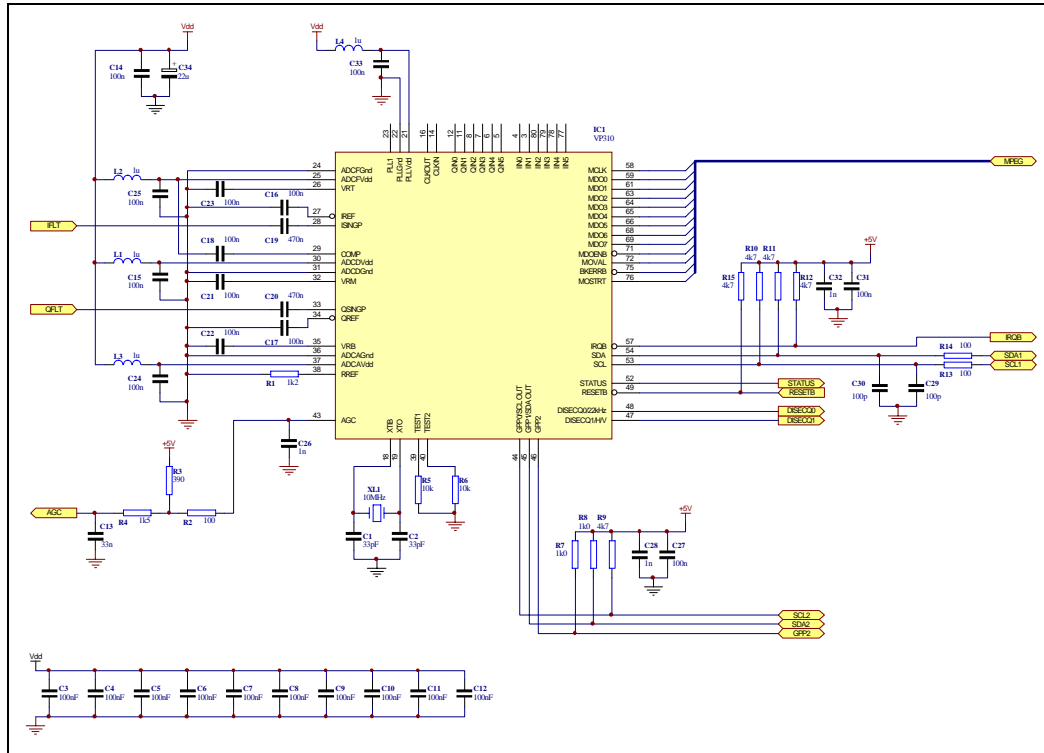
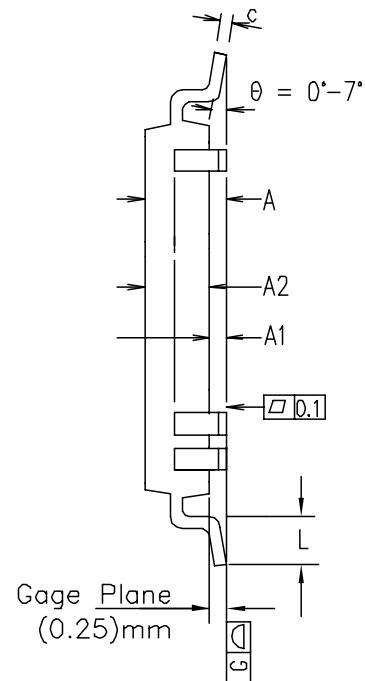
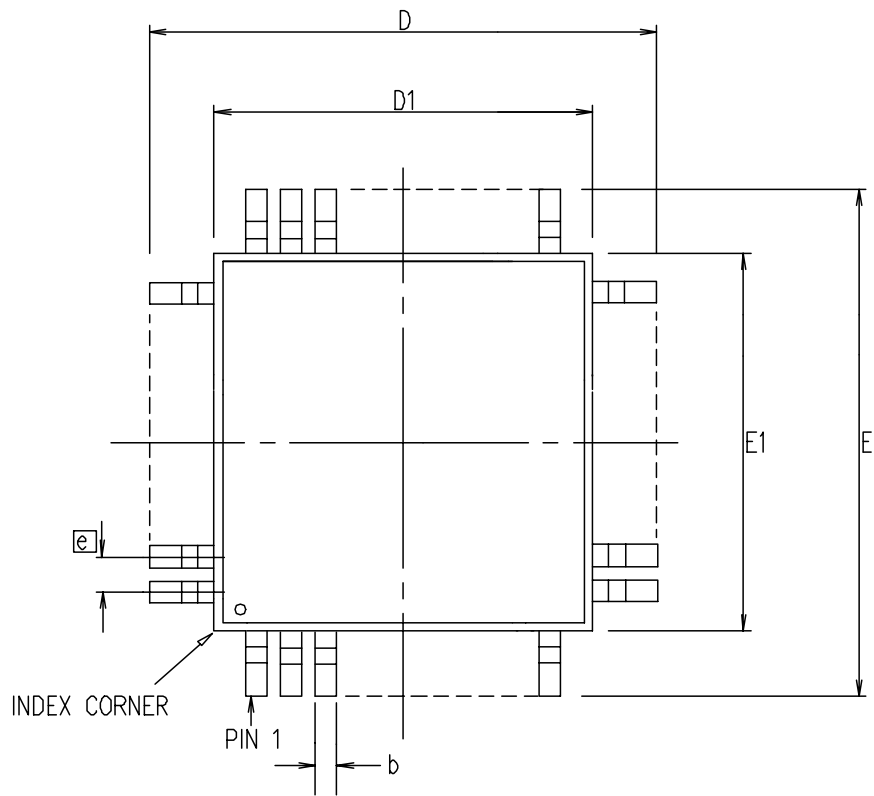


Figure 20. Application Schematic.



Symbol	Control Dimensions in millimetres		Altern. Dimensions in inches	
	MIN	MAX	MIN	MAX
A	—	2.45	—	0.096
A1	0.00	0.25	0.000	0.010
A2	1.80	2.20	0.071	0.087
D	17.20	BSC	0.677	BSC
D1	14.00	BSC	0.551	BSC
E	17.20	BSC	0.677	BSC
E1	14.00	BSC	0.551	BSC
L	0.73	1.03	0.029	0.041
e	0.65	BSC.	0.026	BSC.
b	0.22	0.40	0.009	0.016
c	0.11	0.23	0.004	0.009
Pin features				
N	80			
ND	20			
NE	20			
NOTE	SQUARE			

Conforms to JEDEC MS-022 BC Iss. B

Notes:

1. Pin 1 indicator may be a corner chamfer, dot or both.
2. Controlling dimensions are in millimeters.
3. The top package body size may be smaller than the bottom package body size by a max. of 0.15 mm.
4. Dimension D1 and E1 do not include mould protusion.
5. Dimension b does not include dambar protusion.
6. Coplanarity, measured at seating plane G, to be 0.010 mm max.

This drawing supersedes 418/ED/51210/016 (Swindon)

© Mitel 1999. All rights reserved.

ORIGINATING SITE: SWINDON

ISSUE	1	2	3	4
ACN	202049	204612	205120	207056
DATE	20FEB97	22MAY98	10SEP98	30JUN99
APPD.				

MITEL SEMICONDUCTOR

Title: Package Outline Drawing for
80L MQFP (GP)
(14x14x2.0) mm, Body+3.2 mm

Drawing Number

GPD00232



<http://www.mitelsemi.com>

World Headquarters - Canada

Tel: +1 (613) 592 2122
Fax: +1 (613) 592 6909

North America

Tel: +1 (770) 486 0194
Fax: +1 (770) 631 8213

Asia/Pacific

Tel: +65 333 6193
Fax: +65 333 6192

**Europe, Middle East,
and Africa (EMEA)**

Tel: +44 (0) 1793 518528
Fax: +44 (0) 1793 518581

Information relating to products and services furnished herein by Mitel Corporation or its subsidiaries (collectively "Mitel") is believed to be reliable. However, Mitel assumes no liability for errors that may appear in this publication, or for liability otherwise arising from the application or use of any such information, product or service or for any infringement of patents or other intellectual property rights owned by third parties which may result from such application or use. Neither the supply of such information or purchase of product or service conveys any license, either express or implied, under patents or other intellectual property rights owned by Mitel or licensed from third parties by Mitel, whatsoever. Purchasers of products are also hereby notified that the use of product in certain ways or in combination with Mitel, or non-Mitel furnished goods or services may infringe patents or other intellectual property rights owned by Mitel.

This publication is issued to provide information only and (unless agreed by Mitel in writing) may not be used, applied or reproduced for any purpose nor form part of any order or contract nor to be regarded as a representation relating to the products or services concerned. The products, their specifications, services and other information appearing in this publication are subject to change by Mitel without notice. No warranty or guarantee express or implied is made regarding the capability, performance or suitability of any product or service. Information concerning possible methods of use is provided as a guide only and does not constitute any guarantee that such methods of use will be satisfactory in a specific piece of equipment. It is the user's responsibility to fully determine the performance and suitability of any equipment using such information and to ensure that any publication or data used is up to date and has not been superseded. Manufacturing does not necessarily include testing of all functions or parameters. These products are not suitable for use in any medical products whose failure to perform may result in significant injury or death to the user. All products and materials are sold and services provided subject to Mitel's conditions of sale which are available on request.

M Mitel (design) and ST-BUS are registered trademarks of MITEL Corporation
Mitel Semiconductor is an ISO 9001 Registered Company
Copyright 1999 MITEL Corporation
All Rights Reserved
Printed in CANADA

TECHNICAL DOCUMENTATION - NOT FOR RESALE