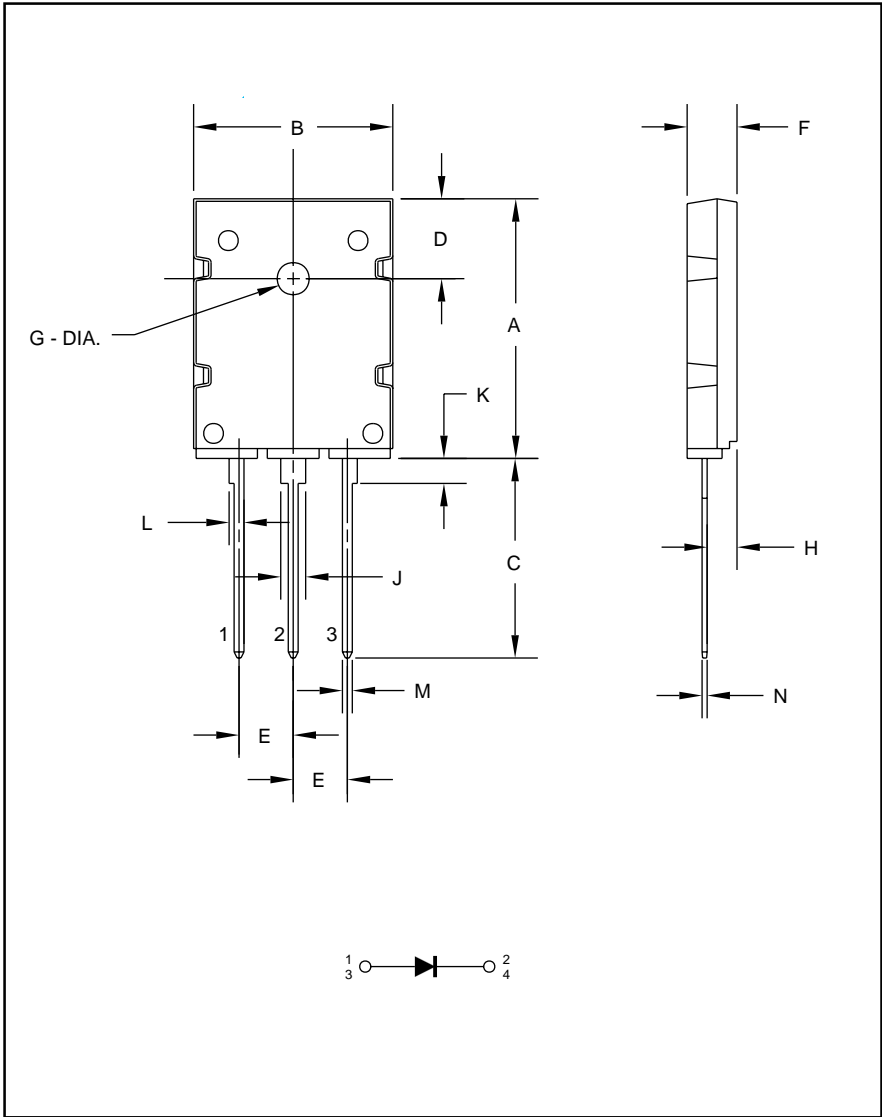


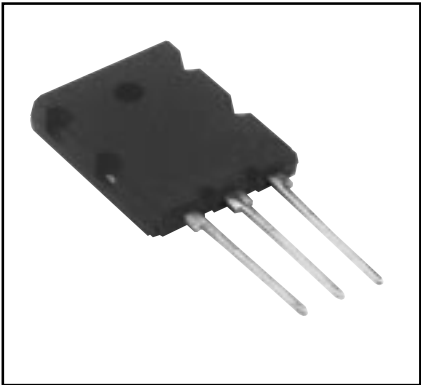
RM35HG-34S



Outline Drawing and Circuit Diagram

Dimension	Inches	Millimeters
A	1.102±0.02	26.0±0.5
B	0.81 Max.	20.5 Max.
C	0.79 Min.	20.0 Min.
D	0.24±0.008	6.0±0.2
E	0.214±0.012	5.45±0.3
F	0.20±0.012	5.0±0.3
G	0.214±0.012 Dia.	Dia. 3.2±0.2

Dimension	Inches	Millimeters
H	0.12±0.012	3.0±0.3
J	0.10±0.012	2.5±0.3
K	0.10	2.5
L	0.08±0.012	2.0±0.3
M	0.04±0.008	1.0±0.2
N	0.02±0.008	0.6±0.2



Description:
Mitsubishi Super Fast Recovery Diodes are designed for use in applications requiring fast switching.

- Features:**
- Non-Isolated Package
 - Planar Chips
 - $t_{rr} = 300\text{ns Max.}$

- Applications:**
- Snubber Circuits

Ordering Information:
Example: Select the complete part number from the table below -i.e. RM35HG-34S is a 1700V, 35 Ampere Super Fast Recovery Single Diode Module.

Type	Current Rating Amperes	Voltage Volts (x 50)
RM	35	34

Absolute Maximum Ratings, $T_j = 25^\circ\text{C}$ unless otherwise specified

Ratings	Symbol	RM35HG-34S	Units
Peak Reverse Blocking Voltage (Non-Repetitive)	V_{RRM}	1700	Volts
DC Reverse Blocking Voltage	$V_{R(DC)}$	1360	Volts
DC Current, $T_C = 80^\circ\text{C}$ (Resistive Load)	$I_{F(DC)}$	35	Amperes
Peak Half-Cycle Surge (Non-Repetitive) On-State Current (60Hz)	I_{FSM}	400	Amperes
I^2t for Fusing, (8.3 milliseconds)	I^2t	—	A^2sec
Storage Temperature	T_{stg}	-40 to +125	$^\circ\text{C}$
Operating Temperature	T_j	-40 to +150	$^\circ\text{C}$
Maximum Mounting Torque M3 Mounting Screw	—	0.59 ~ 0.98	$\text{N} \cdot \text{m}$
Module Weight (Typical)	—	10	Grams

Electrical and Thermal Characteristics, $T_j = 25^\circ\text{C}$ unless otherwise specified

Characteristics	Symbol	Test Conditions	Max.	Units
Blocking State Maximums				
Reverse Leakage Current, Peak	I_{RRM}	V_{RRM} applied, $T_j = 150^\circ\text{C}$	1.0	mA
		V_{RRM} applied, $T_j = 25^\circ\text{C}$	0.1	mA
Conducting State Maximums				
Forward Voltage Drop	V_{FM}	$T_j = 25^\circ\text{C}$, $I_{FM} = 100\text{A}$	5.0	Volts
Switching Minimums				
Reverse Recovery Time	t_{rr}	$T_j = 25^\circ\text{C}$, $I_{FM} = 100\text{A}$ $di/dt = -500\text{A}/\mu\text{s}$, $V_R = 600\text{V}$	0.3	μs
Lead Integrity				
	—	Tension Load: 2.5 kg	30.0	s
	—	Bending Load: 1 kg bent to 90°	2.0	times
Thermal Maximums				
Junction to Case Thermal Resistance	$R_{th(j-c)}$	Junction to case	0.5	$^\circ\text{C}/\text{Watt}$
Contact Thermal Resistance	$R_{th(c-f)}$	Case to Fin, Thermal Grease Applied	0.5	$^\circ\text{C}/\text{Watt}$

*Maximum ratings unless otherwise specified