


CR3JM

LOW POWER, STROBE USE
NON-INSULATED TYPE, GLASS PASSIVATION TYPE

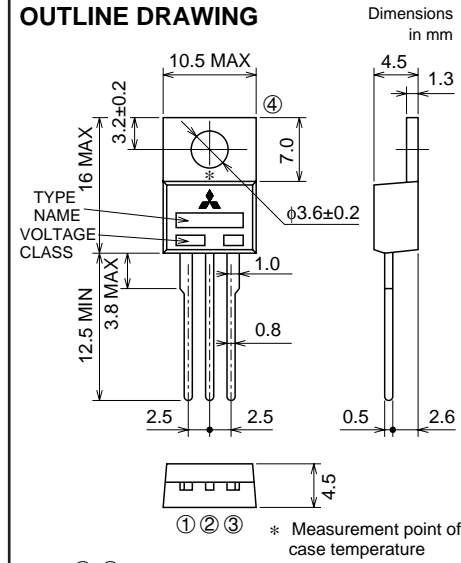
CR3JM



- $I_T (AV)$ **0.8A**
- V_{DRM} **400V**
- I_{GT} **50mA**

OUTLINE DRAWING

Dimensions in mm



① ② ③ * Measurement point of case temperature

① CATHODE
② ANODE
③ GATE
④ ANODE

TO-220

APPLICATION

Automatic strobe flasher

MAXIMUM RATINGS

Symbol	Parameter	Voltage class	
		8	Unit
VRRM	Repetitive peak reverse voltage	400	V
VRSM	Non-repetitive peak reverse voltage	480	V
VDRM	Repetitive peak off-state voltage	400	V
VDSM	Non-repetitive peak off-state voltage	480	V

Symbol	Parameter	Conditions	Ratings	Unit
$I_T (AV)$	Average on-state current	Commercial frequency, sine half wave, 180° conduction, $T_a=37^\circ\text{C}$	0.8	A
I_{TRM}	Repetitive peak on-state current *1	$C_M=1800\mu\text{F}$ with discharge current	240	A
PGM	Peak gate power dissipation		3.0	W
$P_G (AV)$	Average gate power dissipation		0.3	W
VFGM	Peak gate forward voltage		6	V
VRGM	Peak gate reverse voltage		6	V
IFGM	Peak gate forward current		1	A
T_j	Junction temperature		-40 ~ +125	°C
T_{stg}	Storage temperature		-40 ~ +125	°C
—	Weight	Typical value	2.0	g

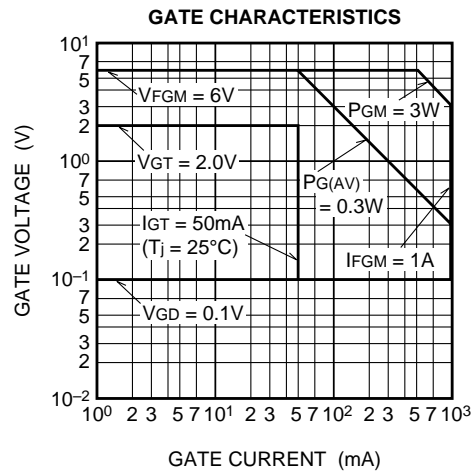
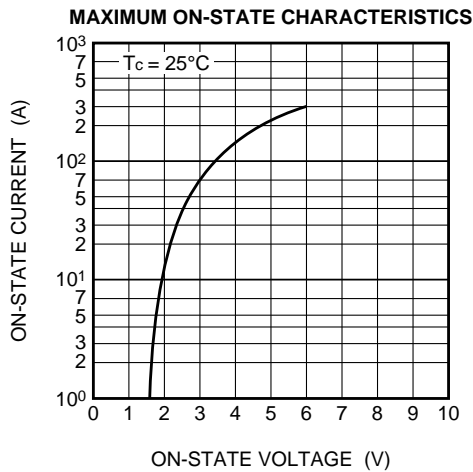
*1. Refer to sections 1, 2 on STROBE FLASHER APPLICATION.

ELECTRICAL CHARACTERISTICS

Symbol	Parameter	Test conditions	Limits			Unit
			Min.	Typ.	Max.	
IRRM	Repetitive peak reverse current	$T_j=25^\circ\text{C}$, V_{RRM} applied	—	—	0.1	mA
IDRM	Repetitive peak off-state current	$T_j=25^\circ\text{C}$, V_{DRM} applied	—	—	0.1	mA
V _{TM}	On-state voltage	$T_c=25^\circ\text{C}$, $I_{TM}=3\text{A}$, Instantaneous value	—	—	1.8	V
V _{GT}	Gate trigger voltage	$T_j=25^\circ\text{C}$, $V_D=6\text{V}$, $R_L=6\Omega$	—	—	2.0	V
V _{GD}	Gate non-trigger voltage	$T_j=125^\circ\text{C}$, $V_D=1/2V_{DRM}$	0.1	—	—	V
I _{GT}	Gate trigger current	$T_j=25^\circ\text{C}$, $V_D=6\text{V}$, $R_L=6\Omega$	—	—	50	mA
C _c	Commutating capacitor *2	$C_M=1800\mu\text{F}$, $V_{CM}=350\text{V}$, $I_{TM}=240\text{A}$, $L=50\mu\text{H}$, $V_{GK}=-6\text{V}$, $T_a=25^\circ\text{C}$	—	—	2.8	μF

*2. Refer to sections 3 on STROBE FLASHER APPLICATION.

PERFORMANCE CURVES



CR3JM

LOW POWER, STROBE USE
NON-INSULATED TYPE, GLASS PASSIVATION TYPE

