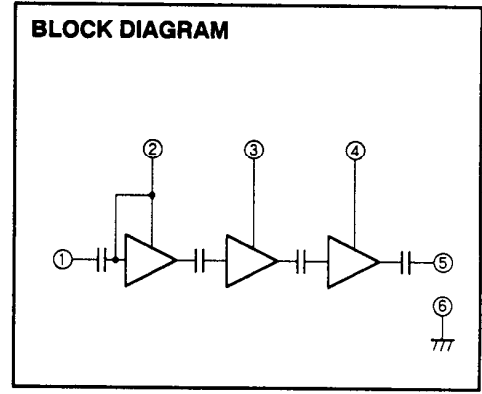
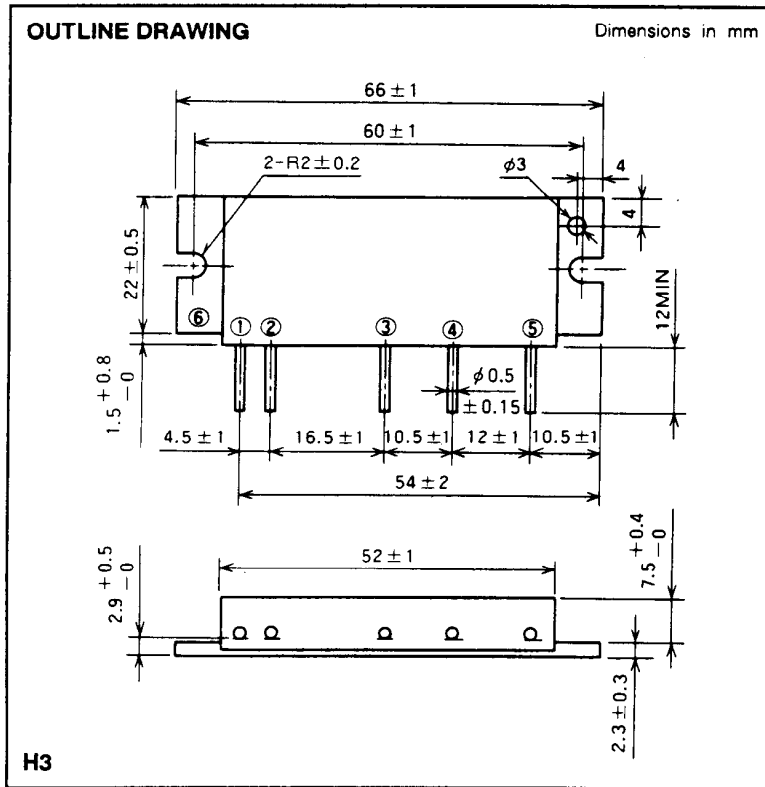


# M57704UH

470-490MHz, 12.5V, 13W, FM MOBILE RADIO



- PIN :
- ① Pin : RF INPUT
  - ② VCC1 : 1st. DC SUPPLY
  - ③ VCC2 : 2nd. DC SUPPLY
  - ④ VCC3 : 3rd. DC SUPPLY
  - ⑤ Po : RF OUTPUT
  - ⑥ GND : FIN

**ABSOLUTE MAXIMUM RATINGS** (Tc = 25 °C unless otherwise noted)

Symbol	Parameter	Conditions	Ratings	Unit
Vcc	Supply voltage		17	V
Icc	Total current		5	A
P <sub>in(max)</sub>	Input power	Z <sub>G</sub> = Z <sub>L</sub> = 50 Ω	0.4	W
P <sub>o(max)</sub>	Output power	Z <sub>G</sub> = Z <sub>L</sub> = 50 Ω	20	W
T <sub>c(OP)</sub>	Operation case temperature		- 30 to 110	°C
T <sub>stg</sub>	Storage temperature		- 40 to 110	°C

Note. Above parameters are guaranteed independently.

**ELECTRICAL CHARACTERISTICS** (Tc = 25 °C unless otherwise noted)

Symbol	Parameter	Test conditions	Limits		Unit
			Min	Max	
f	Frequency range	P <sub>in</sub> = 0.2W V <sub>cc</sub> = 12.5V Z <sub>G</sub> = Z <sub>L</sub> = 50 Ω	470	490	MHz
P <sub>o</sub>	Output power		13		W
η <sub>T</sub>	Total efficiency		35		%
2f <sub>o</sub>	2nd. harmonic			- 30	dBc
ρ <sub>in</sub>	Input VSWR			2.8	-
-	Load VSWR tolerance	V <sub>cc</sub> = 15.2V, P <sub>o</sub> = 14W (P <sub>in</sub> : controlled) Load VSWR=20:1 (All phase), 2sec. Z <sub>G</sub> = 50 Ω	No degradation or destroy		-

Note. Above parameters, ratings, limits and conditions are subject to change.

