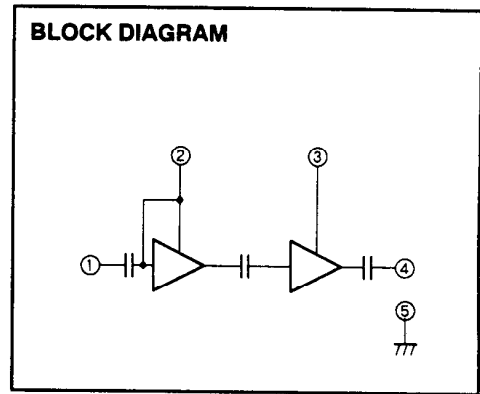
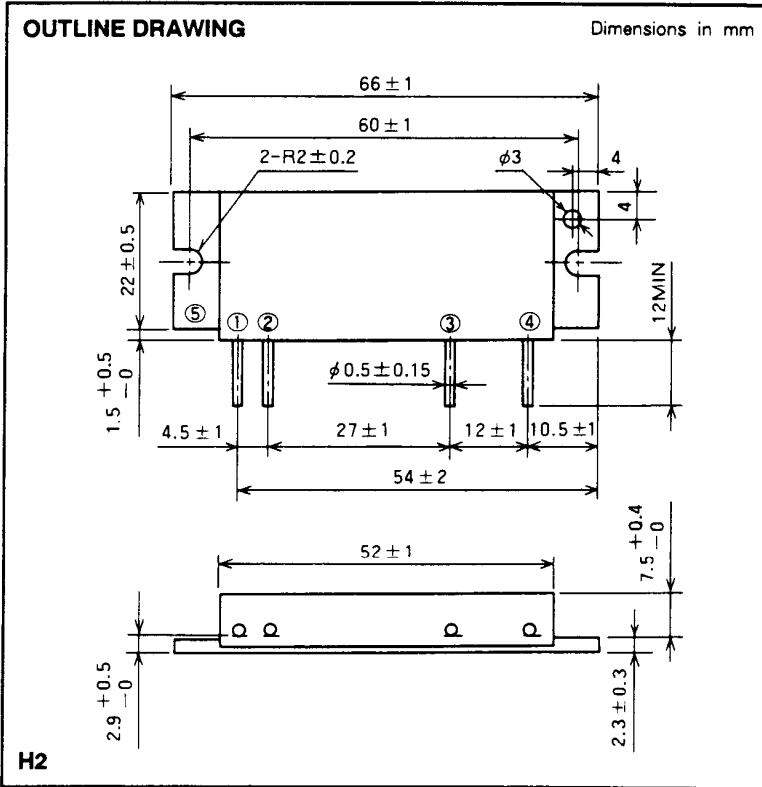


# M57706

145-175MHz, 12.5V, 8W, FM MOBILE RADIO



PIN :  
 ①Pin : RF INPUT  
 ②Vcc1 : 1st. DC SUPPLY  
 ③Vcc2 : 2nd. DC SUPPLY  
 ④Po : RF OUTPUT  
 ⑤GND : FIN

**ABSOLUTE MAXIMUM RATINGS** (Tc = 25°C unless otherwise noted)

Symbol	Parameter	Conditions	Ratings	Unit
Vcc	Supply voltage		17	V
Icc	Total current		5	A
P <sub>in(max)</sub>	Input power	Z <sub>G</sub> = Z <sub>L</sub> = 50 Ω	0.4	W
P <sub>O(max)</sub>	Output power	Z <sub>G</sub> = Z <sub>L</sub> = 50 Ω	12	W
T <sub>C(OP)</sub>	Operation case temperature		- 30 to 110	°C
T <sub>stg</sub>	Storage temperature		- 40 to 110	°C

Note. Above parameters are guaranteed independently.

**ELECTRICAL CHARACTERISTICS** (Tc = 25°C unless otherwise noted)

Symbol	Parameter	Test conditions	Limits		Unit
			Min	Max	
f	Frequency range	P <sub>in</sub> = 0.2W Vcc = 12.5V Z <sub>G</sub> = Z <sub>L</sub> = 50 Ω	145	175	MHz
P <sub>O</sub>	Output power		8		W
η <sub>T</sub>	Total efficiency		35		%
2f <sub>o</sub>	2nd. harmonic			- 15	dBc
3f <sub>o</sub>	3rd. harmonic			- 25	dBc
ρ <sub>in</sub>	Input VSWR			4	-
-	Load VSWR tolerance	Vcc = 15.2V, P <sub>O</sub> = 12W (P <sub>in</sub> : controlled) Load VSWR=20:1(All phase), 2sec. Z <sub>G</sub> = 50Ω	No degradation or destroy		-

Note. Above parameters, ratings, limits and conditions are subject to change.