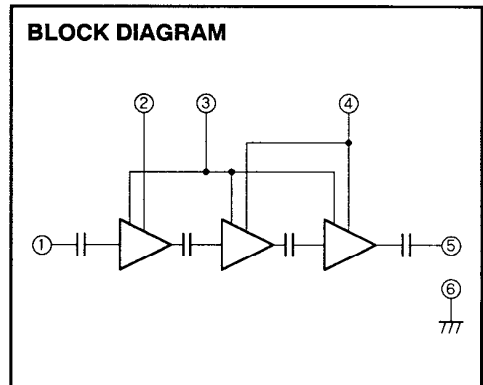
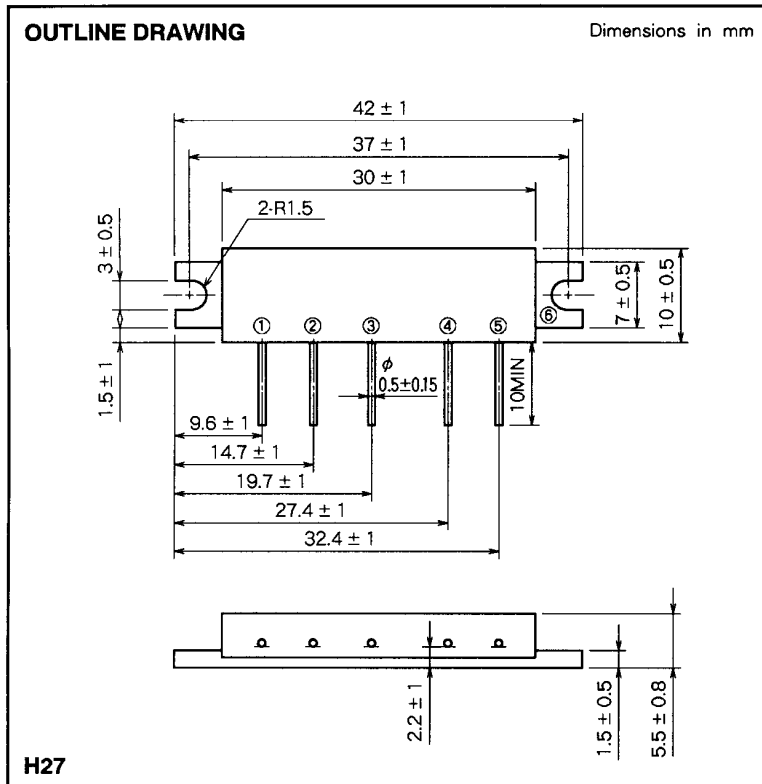


M67749M

430-450MHz, 12.5V, 7W, FM PORTABLE RADIO



- PIN :
- ① Pin : RF INPUT
 - ② Vcc1 : 1st. DC SUPPLY
 - ③ VBB : BASE BIAS SUPPLY
 - ④ Vcc2 : 2nd. DC SUPPLY
 - ⑤ Po : RF OUTPUT
 - ⑥ GND : FIN

ABSOLUTE MAXIMUM RATINGS (Tc = 25 °C unless otherwise noted)

Symbol	Parameter	Conditions	Ratings	Unit
Vcc	Supply voltage	VBB ≤ 5V	15	V
VBB	Base bias	Vcc ≤ 12.5V	5.5	V
Icc	Total current		4	A
P _{in(max)}	Input power	Z _G = Z _L = 50 Ω, Vcc1 ≤ 12.5V	40	mW
P _{O(max)}	Output power	Z _G = Z _L = 50 Ω	10	W
T _{C(OP)}	Operation case temperature		- 30 to 110	°C
T _{stg}	Storage temperature		- 40 to 110	°C

Note. Above parameters are guaranteed independently.

ELECTRICAL CHARACTERISTICS (Tc = 25 °C unless otherwise noted)

Symbol	Parameter	Test conditions	Limits		Unit
			Min	Max	
f	Frequency range	P _{in} = 20mW VBB = 5V Vcc = 12.5V Z _G = Z _L = 50 Ω	430	450	MHz
P _O	Output power		7		W
η _T	Total efficiency		40		%
2fo	2nd. harmonic			- 20	dBc
3fo	3rd. harmonic			- 25	dBc
ρ _{in}	Input VSWR			2.5	-
-	Load VSWR tolerance	Vcc2 = 13.2V, VBB = 5V, P _{in} = 20mW P _O = 7W (Vcc1 : controlled) Load VSWR = 20 : 1 (All phase), Z _G = 50Ω	No degradation or destroy		-

Note. Above parameters, ratings, limits and conditions are subject to change.