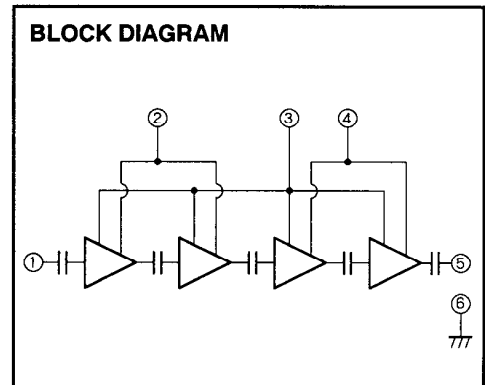
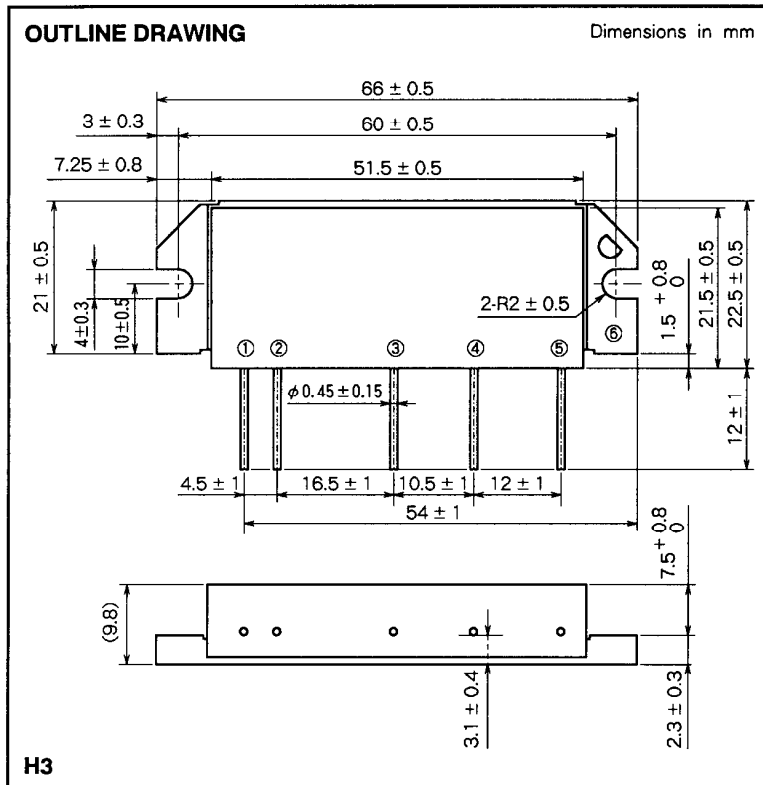


M68719

1240-1300MHz, 12.5V, 16W, FM MOBILE RADIO



- PIN :
- ① Pin : RF INPUT
 - ② Vcc1 : 1st. DC SUPPLY
 - ③ VBB : BASE BIAS SUPPLY
 - ④ Vcc2 : 2nd. DC SUPPLY
 - ⑤ Po : RF OUTPUT
 - ⑥ GND : FIN

ABSOLUTE MAXIMUM RATINGS (T_c = 25 °C unless otherwise noted)

Symbol	Parameter	Conditions	Ratings	Unit
V _{cc1, 2}	Supply voltage		17	V
V _{BB}	Base bias		8.5	V
I _{cc}	Total current		8	A
P _{in(max)}	Input power	V _{cc1} = 12.5V, V _{BB} = 8V, Z _G = Z _L = 50 Ω	0.16	W
P _{o(max)}	Output power	Z _G = Z _L = 50 Ω	20	W
T _{c(OP)}	Operation case temperature		- 30 to 110	°C
T _{stg}	Storage temperature		- 40 to 110	°C

Note. Above parameters are guaranteed independently.

ELECTRICAL CHARACTERISTICS (T_c = 25 °C unless otherwise noted)

Symbol	Parameter	Test conditions	Limits		Unit
			Min	Max	
f	Frequency range	V _{cc1} = V _{cc2} = 12.5V V _{BB} = 8V P _{in} = 0.1W Z _G = Z _L = 50 Ω	1.24	1.3	GHz
P _o	Output power		16		W
η _T	Total efficiency		28		%
2f _o	2nd. harmonic		- 45		dBc
ρ _{in}	Input VSWR		2.5		-
-	Load VSWR tolerance	V _{BB} = 8V, V _{cc2} = 15.2V, P _{in} = 0.1W P _o = 16W (V _{cc1} : controlled), Load VSWR=16:1(All phase) Z _G = 50Ω	No degradation or destroy		-

Note. Above parameters, ratings, limits and conditions are subject to change.