

MF1117V-2

FOR DIGITAL MOBILE TELEPHONE, Rx

MF1117V-2

DESCRIPTION

This SAW filter for the receiving RF circuit of digital mobile communication equipment operating at 1477 MHz ~ 1501 MHz.

FEATURES

1. SMD package insures small size, lightweight.
2. Adjustment free.
3. Low insertion loss and high stop band attenuation.
4. Wide and sharp passband characteristics.
5. High stability and reliability.
6. Designed for reflow solderings.

APPLICATION

- Digital mobile cellular telephone
- Portable digital cellular telephone
- Wireless equipment

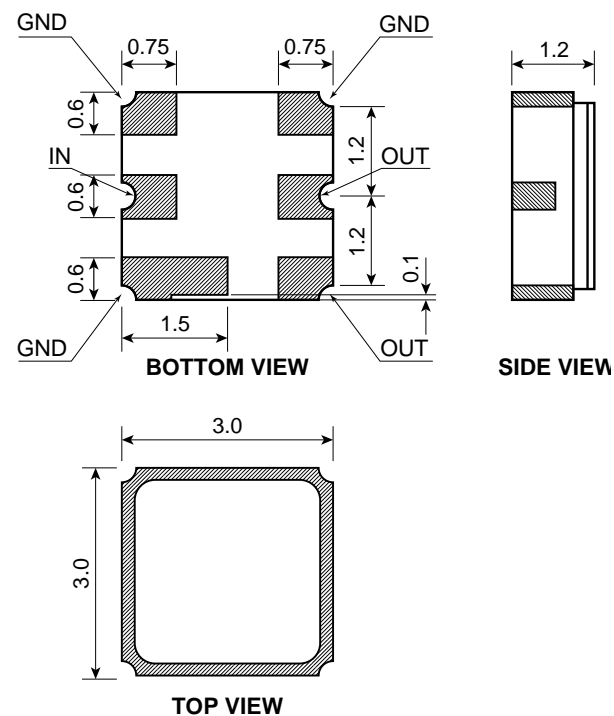
MAXIMUM RATINGS

Rating	Value	Unit
Input Power	40	mW
Operating Temperature Range	-20 to 75	°C
Storage Temperature Range	-30 to 85	°C

ELECTRICAL PERFORMANCE

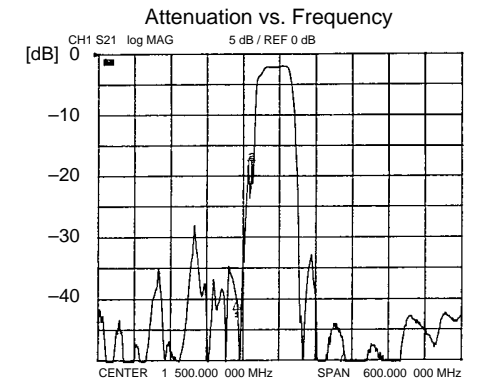
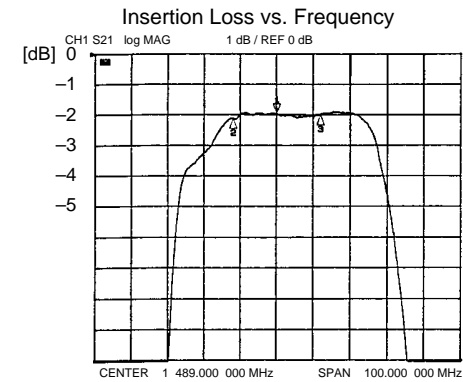
Parameter	MF1117V-2			Units
	Min	Typ	Max	
PASSBAND FREQUENCY	1477 – 1501			MHz
PASSBAND CHARACTERISTICS	Insertion Loss	2.2	3.0	dB
	Ripple	0.5	1.0	dBp-p
	VSWR	1.7	2.5	
STOPBAND ATTENUATION	0 – 1050 MHz	40	48	dB
	1050 – 1380 MHz	25	28	dB
	1429 – 1453 MHz	15	19	dB
	1542 – 1566 MHz	25	30	dB
	1607 – 1631 MHz	40	45	dB
	1737 – 1761 MHz	37	42	dB
1761 – 3000 MHz	25	32	dB	

PACKAGE OUTLINE DIMENSIONS

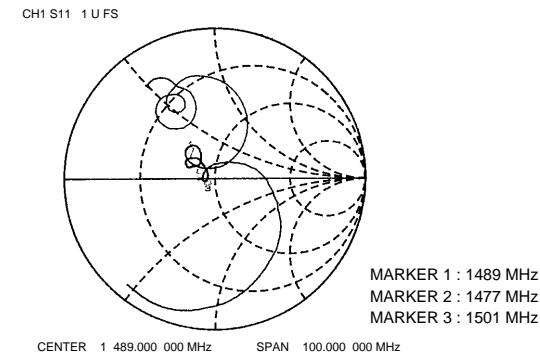


DIMENSIONS ARE IN MILLIMETERS
±0.2 UNLESS OTHERWISE SPECIFIED

MF1117V-2 TYPICAL CHARACTERISTICS



Input Reflection Coefficient vs. Frequency



Output Reflection Coefficient vs. Frequency

