

# MF1150V-2

FOR AMPS MOBILE TELEPHONE, Rx

MF1150V-2

## DESCRIPTION

This SAW filter for the receiving RF circuit of AMPS mobile communication equipment operating at 869 MHz ~ 894 MHz.

## FEATURES

1. SMD package insures small size, lightweight.
2. Adjustment free.
3. Low insertion loss.
4. Wide and sharp passband characteristics.
5. High stability and reliability.
6. Designed for reflow solderings

## APPLICATION

- Mobile Cellular Telephone
- Portable Cellular Telephone
- Wireless equipment

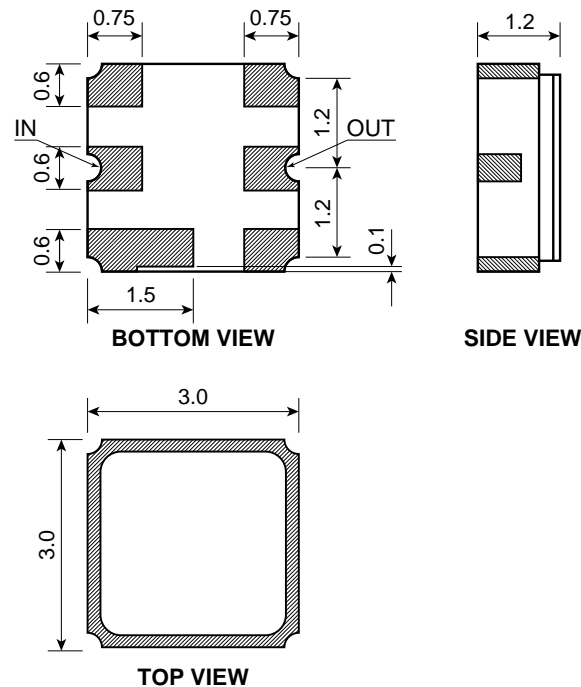
## MAXIMUM RATINGS

Rating	Value	Unit
Input Power	50	mW
Operating Temperature Range	-20 to 75	°C
Storage Temperature Range	-30 to 85	°C

## ELECTRICAL PERFORMANCE

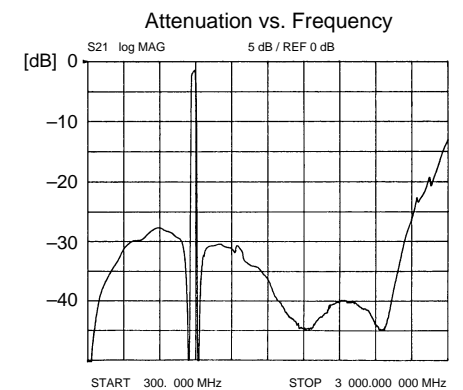
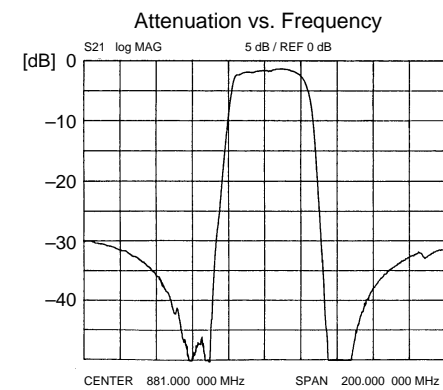
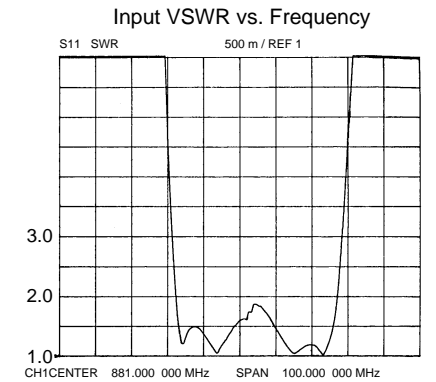
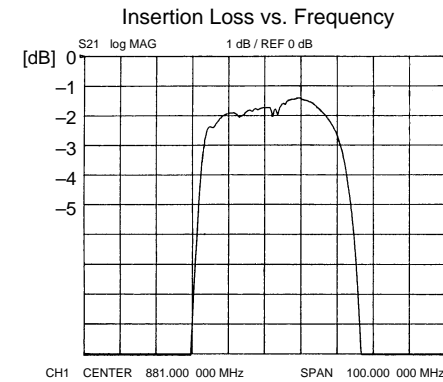
Parameter	MF1150V-2			Units
	Min	Typ	Max	
PASSBAND FREQUENCY	869 – 894			MHz
PASSBAND CHARACTERISTICS				
Insertion Loss		2.4	3.0	dB
Ripple		1.0	2.0	dBp-p
VSWR		1.9	2.5	
STOPBAND ATTENUATION				
0 – 849 MHz	20	28		dB
914 – 939 MHz	15	32		dB
939 – 1049 MHz	24	31		dB
1049 – 2000 MHz	20	31		dB

## PACKAGE OUTLINE DIMENSIONS

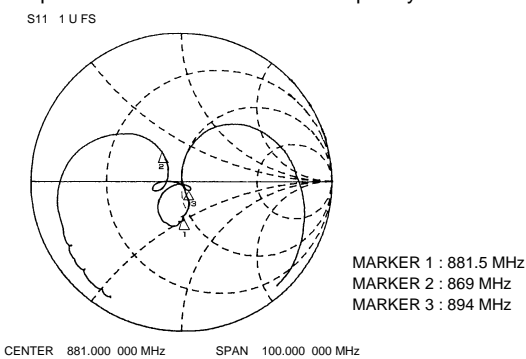


DIMENSIONS ARE IN MILLIMETERS  
±0.2 UNLESS OTHERWISE SPECIFIED

## MF1150V-2 TYPICAL CHARACTERISTICS



Input Reflection Coefficient vs. Frequency



Output Reflection Coefficient vs. Frequency

