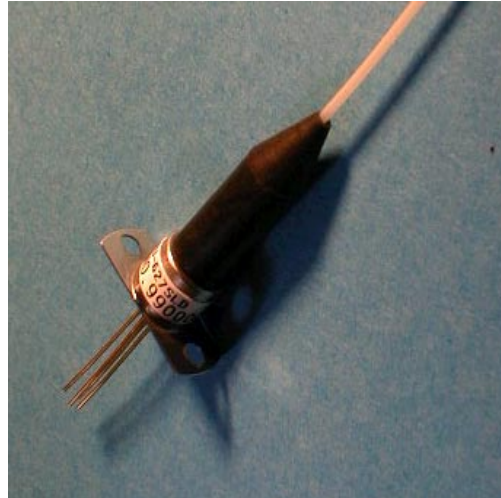


MITSUBISHI (OPTICAL DEVICES)  
**FU-627SLD-F1**

1.55  $\mu\text{m}$  LD MODULE WITH SINGLEMODE FIBER PIGTAIL

**DESCRIPTION**

Module type FU-627SLD-F1 has been developed for coupling a singlemode optical fiber and a 1.55  $\mu\text{m}$  wavelength In GaAsP LD (Laser diode). FU-627SLD-F1 is suitable to light source for high-speed long haul digital optical communication systems and measuring instruments.



**FEATURES**

- High-speed response
  - Emission wavelength is in 1.55 $\mu\text{m}$  band
  - Low threshold current (10mA typ.)
  - With photodiode for optical output monitor
  - MQW\* active layer
  - FSBH\*\* structure fabricated by all MOCVD process
- \*Multiple quantum well  
 \*\*Facet selective-growth buried heterostructure

**APPLICATION**

Trunk Line, FitL

**ABSOLUTE MAXIMUM RATINGS** (Tc=25°C)

Parameter		Symbol	Conditions	Rating	Unit
Laser diode	Optical output power from fiber end	Pf	CW	2.4	mW
	Reverse voltage	Vrl	-	2	V
Photodiode for monitoring	Reverse voltage	Vrd	-	15	V
	Forward current	I <sub>fd</sub>	-	2	mA
Operating case temperature		Tc	-	-20~+75	°C
Storage temperature		Tstg	-	-40~+85	°C

**MITSUBISHI (OPTICAL DEVICES)**  
**FU-627SLD-F1**

**1.55  $\mu\text{m}$  LD MODULE WITH SINGLEMODE FIBER PIGTAIL**

**ELECTRICAL/OPTICAL CHARACTERISTICS** (Tc=25°C, unless otherwise noted)

Parameter	Symbol	Test Conditions	Limits			Unit
			Min.	Typ.	Max.	
Threshold current	I <sub>th</sub>	CW	-	10	35	mA
Operating current	I <sub>op</sub>	CW	-	30	60	mA
Operating Voltage	V <sub>op</sub>	CW, I <sub>f</sub> =I <sub>op</sub> (Note 1)	-	1.2	1.7	V
Optical output power from fiber end	P <sub>f</sub>	CW, I <sub>f</sub> =I <sub>op</sub>	1.0	1.5	-	mW
Center wavelength	$\lambda_c$	CW, I <sub>f</sub> =I <sub>op</sub>	1520	1550	1580	nm
Spectral bandwidth (RMS) (Note 3)	$\Delta\lambda$	CW, I <sub>f</sub> =I <sub>op</sub>	-	2	4	nm
Rise and fall times	t <sub>r</sub> , t <sub>f</sub>	I <sub>b</sub> =I <sub>th</sub> , 10~90% (Note 2)	-	0.3	1	ns
Tracking error (Note 4)	E <sub>r</sub>	T <sub>c</sub> =0~75°C, APC	-	0.4	1.5	dB
Differential efficiency	$\eta$	-	-	0.075	-	mW/mA
Monitor current	I <sub>mon</sub>	CW, I <sub>f</sub> =I <sub>op</sub> , V <sub>rd</sub> =5V	0.1	0.6	-	mA
Dark current (Photodiode)	I <sub>d</sub>	V <sub>rd</sub> =5V	-	0.1	0.5	$\mu\text{A}$
Capacitance (Photodiode)	C <sub>t</sub>	V <sub>rd</sub> =5V, f=1MHz	-	-	20	pF

Note 1. I<sub>f</sub> : Forward current (LD)

2. I<sub>b</sub> : Bias current (LD)

3.  $\Delta\lambda = ((\sum a_i * (\lambda_i - \lambda_c)^2) / \sum a_i)^{1/2}$

Where  $a_i \geq a_p \times 0.01$

$a_i$ : Relative intensity of laser spectral emission modes

$a_p$ : Peak of laser spectral emission modes

4.  $E_r = \text{MAX} | 10 \times \log(P_f(T_c) / P_f(25^\circ\text{C})) |$

**OPTICAL FIBER SPECIFICATION**

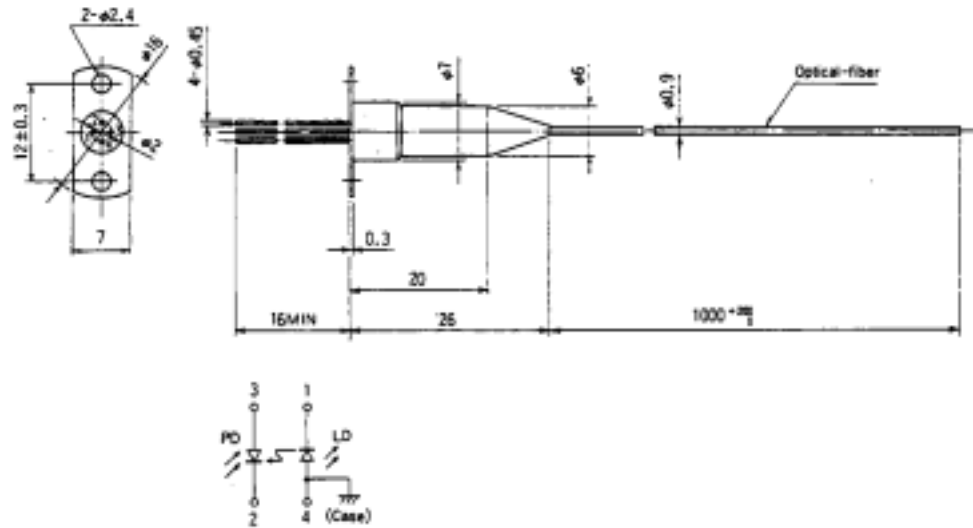
Parameter	Limits	Unit
Type	SM	-
Mode field dia.	9.5 $\pm$ 1	$\mu\text{m}$
Cladding dia.	125 $\pm$ 2	$\mu\text{m}$
Jacket dia.	0.9 typ.	mm

MITSUBISHI (OPTICAL DEVICES)  
**FU-627SLD-F1**

1.55  $\mu\text{m}$  LD MODULE WITH SINGLEMODE FIBER PIGTAIL

OUTLINE DIAGRAM

(Unit : mm)



FU-627SLD-F1